

REACH COMPLIANT

CUSTOMER:HLK

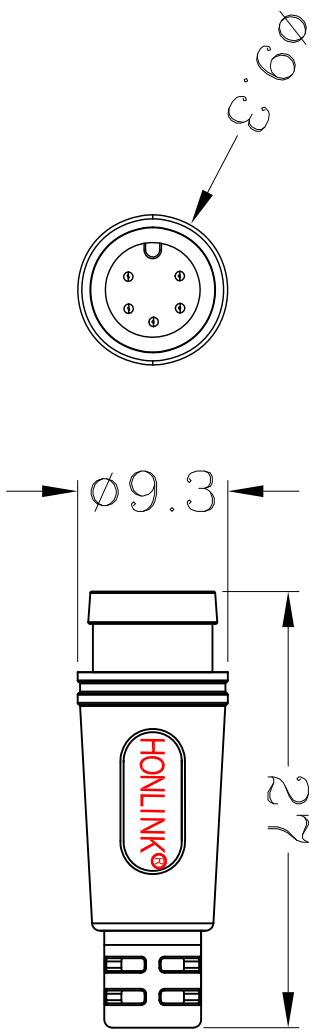
P/N:HLK-307

品名规格:防水头 M8 系列 5PIN-公

REV. /

APPROVE:

REVISIONS		DATE
REV.	DESCRIPTION	
△		
△		
△		



MANAGER BY:		HONLINK HONLINK ELECTRICIAN TECHNOLOGY(KUN SHAN) CO.,LTD	
QUALITY BY:		HTTP://WWW.HONLINKGROUP.COM	
PRODUCTION BY:		PRODUCT NO:N/A	DATE: 2021.10.06
ENGINEER BY:		UNIT: mm	SHEET: 1 OF 1
DRAWN BY:	VALLEY	DWG NO: HLK-307	REV. 0

THE INFORMATION CONTAINED HEREIN IS PROPRIETARY TO HONLINK. ANY USE OR DISCLOSURE OF THIS INFORMATION, EXCEPT FOR THE EXCLUSIVE BENEFIT OF HONLINK IS PROHIBITED.