

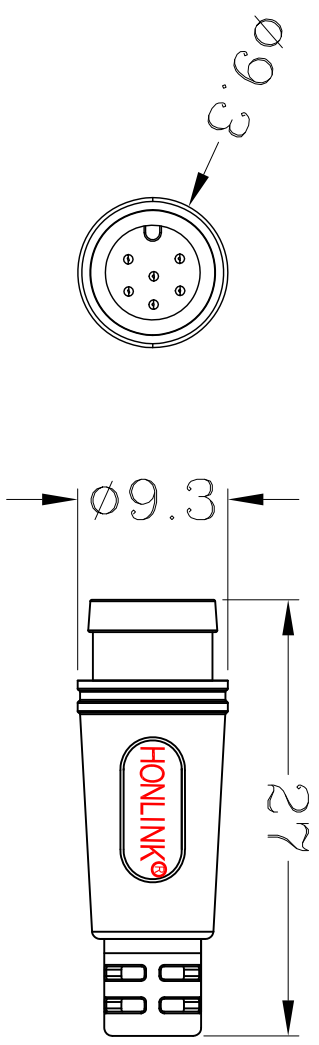
REACH COMPLIANT

CUSTOMER:HLK P/N:HLK-309 品名规格:防水头 M8 系列 6PIN-公

REV. / APPROVE:

REVISIONS		DATE
REV.	DESCRIPTION	
A		
B		

NOTES:
配线径: $\phi 3.7$ & $\phi 4.0$



尺寸要求	0-10	10-20	20-30	>30	角度
公差范围	± 0.2	± 0.4	± 0.6	± 0.7	$\pm 1^\circ$

THE INFORMATION CONTAINED HEREIN IS PROPRIETARY TO HONLINK. ANY USE OR DISCLOSURE OF THIS INFORMATION, EXCEPT FOR THE EXCLUSIVE BENEFIT OF HONLINK IS PROHIBITED.

MANAGER BY: **HONLINK** HONLINK ELECTRICIAN TECHNOLOGY(KUN SHAN) CO.,LTD
 QUALITY BY: [HTTP://WWW.HONLINKGROUP.COM](http://www.honlinkgroup.com)

PRODUCT NO:N/A DATE: 2021.10.06
 UNIT: mm SHEET: 1 OF 1 REV.
 ENGINEER BY: DRAWN BY: VALLEY DWG NO: HLK-309 0