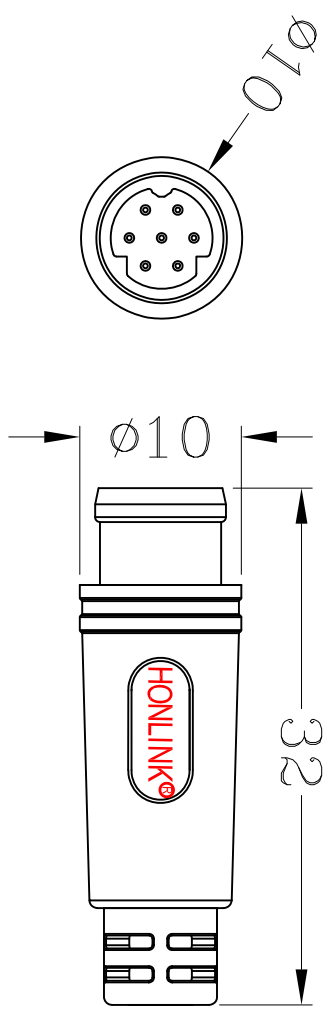


REACH COMPLIANT

CUSTOMER:HLK P/N:HLK-311 品名规格:防水头 M8 系列 7PIN-公

REV. / APPROVE:

REVISIONS	
REV.	DATE
△	
△	
△	



尺寸要求	0-10	10-20	20-30	>30	角度
公差范围	±0.2	±0.4	±0.6	±0.7	±1°

THE INFORMATION CONTAINED HEREIN IS PROPRIETARY TO HONLINK. ANY USE OR DISCLOSURE OF THIS INFORMATION, EXCEPT FOR THE EXCLUSIVE BENEFIT OF HONLINK IS PROHIBITED.

MANAGER BY:		 HONLINK HONLINK ELECTRICIAN TECHNOLOGY(KUN SHAN) CO.,LTD HTTP://WWW.HONLINKGROUP.COM
QUALITY BY:		
PRODUCTION BY:		
ENGINEER BY:		
DRAWN BY:	VALLEY	PRODUCT NO:N/A UNIT: mm DATE: 2021.10.06 SHEET: 1 OF 1 DWG NO: HLK-311 REV. 0