

REACH COMPLIANT

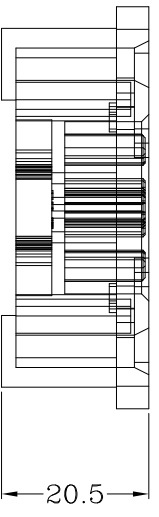
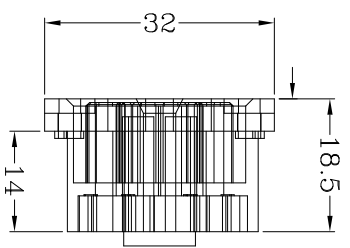
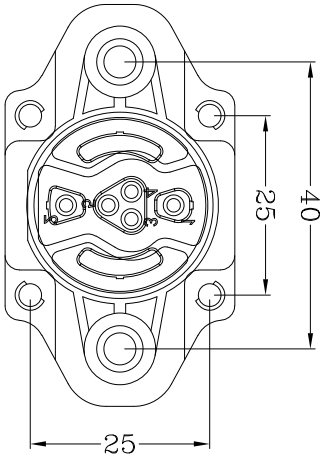
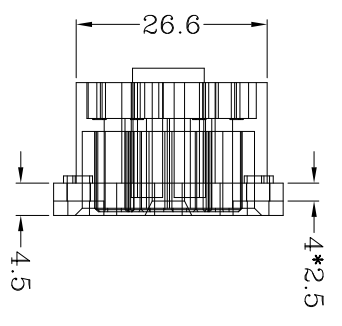
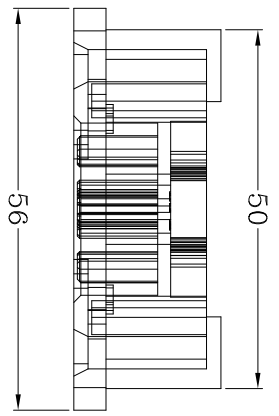
CUSTOMER:HLK P/N:HLK-325

品名规格:10A母座 2+3PIN(上海智租专用)

REV. /

APPROVE:

REVISIONS		DATE
REV.	DESCRIPTION	DATE
△A		
△B		



0.000	±0.005	0.00	±0.2°
0.00	±0.01	0.0	±0.5°
0	±0.1	0	±1°
尺寸公差		角度公差	

MANAGER BY:		HONLINK [®] HONLINK ELECTRICIAN TECHNOLOGY(KUN SHAN) CO.,LTD HTTP://WWW.HONLINKGROUP.COM	
QUALITY BY:			
PRODUCTION BY:			
ENGINEER BY:			
DRAWN BY:	VALLEY		
PRODUCT NO:	HLK-325	DATE:	2022.01.22
UNIT:	mm	SHEET:	1 OF 1
DWG NO:	HLK-325	REV.	0

THE INFORMATION CONTAINED HEREIN IS PROPRIETARY TO HONLINK. ANY USE OR DISCLOSURE OF THIS INFORMATION, EXCEPT FOR THE EXCLUSIVE BENEFIT OF HONLINK IS PROHIBITED.