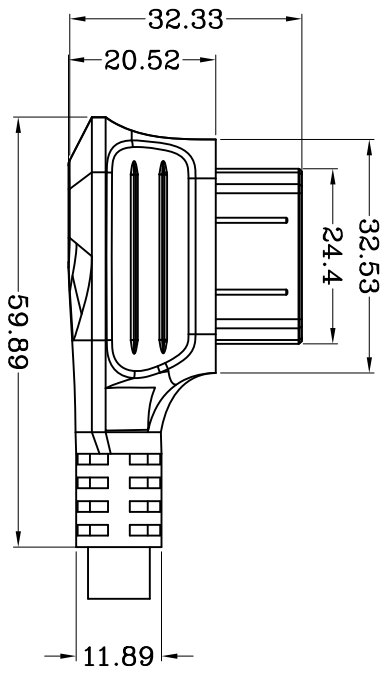
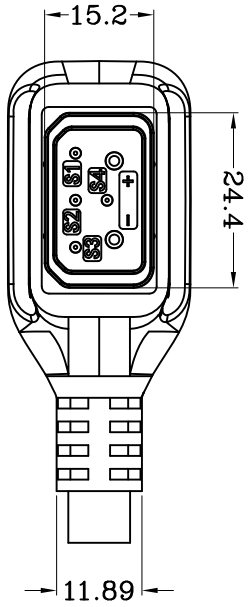


REACH COMPLIANT

CUSTOMER:HLK P/N:HLK-501 品名规格:20A充电器2+4 弯头 公

REV. / APPROVE:

REVISIONS		DATE
REV.	DESCRIPTION	
△		
△		
△		



尺寸要求	0-10	10-20	20-30	>30	角度
公差范围	±0.2	±0.4	±0.6	±0.7	±1°

THE INFORMATION CONTAINED HEREIN IS PROPRIETARY TO HONLINK. ANY USE OR DISCLOSURE OF THIS INFORMATION, EXCEPT FOR THE EXCLUSIVE BENEFIT OF HONLINK IS PROHIBITED.

MANAGER BY:		 HONLINK [®] HONLINK ELECTRICIAN TECHNOLOGY(KUN SHAN) CO.,LTD HTTP://WWW.HONLINKGROUP.COM	
QUALITY BY:			
PRODUCTION BY:			
ENGINEER BY:			
DRAWN BY:	VALLEY		
PRODUCT NO:	N/A	DATE:	2021.10.06
UNIT:	mm	SHEET:	1 OF 1
DWG NO:	HLK-501	REV.	0