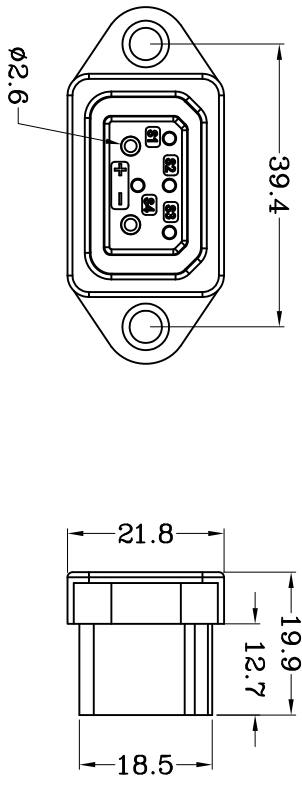
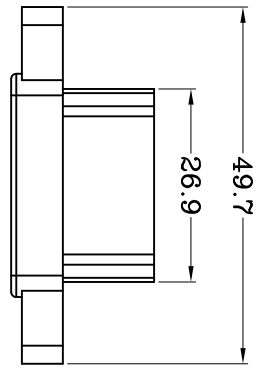


REACH COMPLIANT

CUSTOMER:HLK P/N:HLK-502 品名规格:20A充电器2+4 母座

REV. / APPROVE:

REVISIONS		DATE
REV.	DESCRIPTION	
△		
△		
△		



尺寸要求	0-10	10-20	20-30	>30	角度
公差范围	± 0.2	± 0.4	± 0.6	± 0.7	$\pm 1^\circ$

MANAGER BY:		HONLINK HONLINK ELECTRICIAN TECHNOLOGY(KUN SHAN) CO.,LTD	
QUALITY BY:		HTTP://WWW.HONLINKGROUP.COM	
PRODUCTION BY:		PRODUCT NO:N/A	DATE: 2021.10.06
ENGINEER BY:		UNIT: mm	SHEET: 1 OF 1
DRAWN BY:	VALLEY	DWG NO: HLK-502	REV. 0

THE INFORMATION CONTAINED HEREIN IS PROPRIETARY TO HONLINK. ANY USE OR DISCLOSURE OF THIS INFORMATION, EXCEPT FOR THE EXCLUSIVE BENEFIT OF HONLINK IS PROHIBITED.