

RoHS COMPLIANT

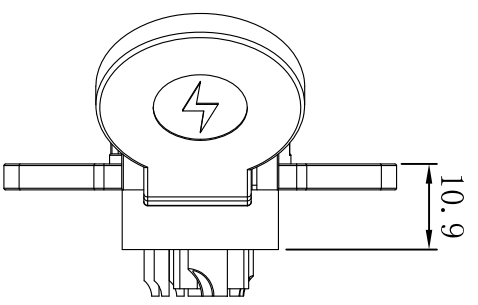
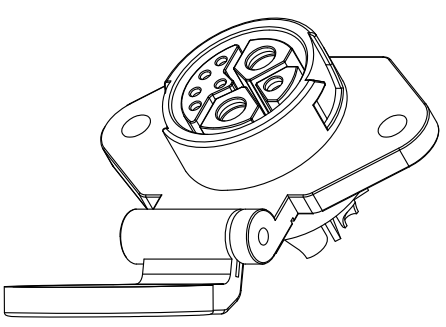
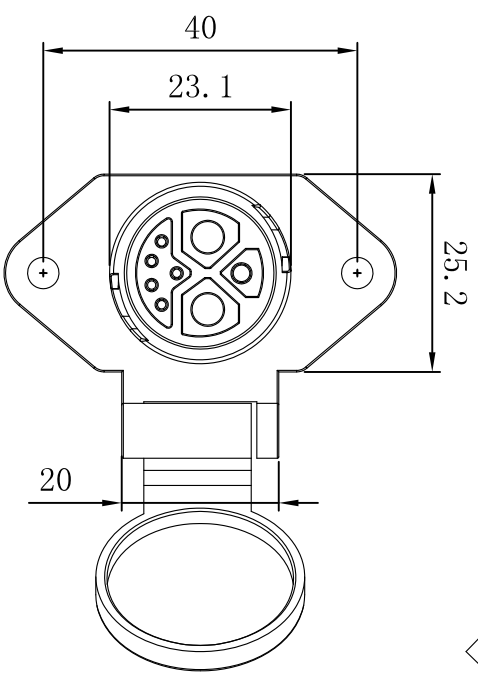
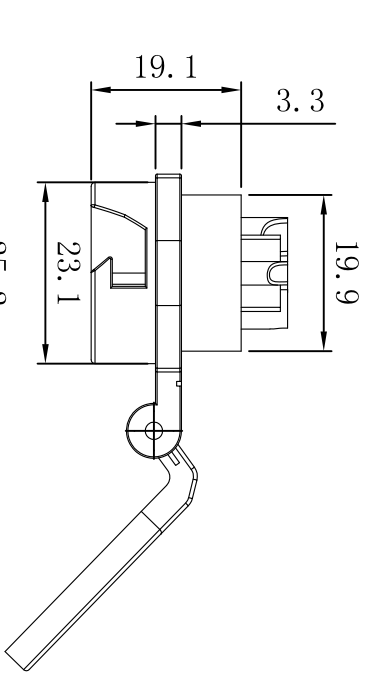
CUSTOMER: HLK P/N: HLK-508-3

规格: 50A 连接器带弹簧盖

REV.

APPROVED BY:

REVISIONS	
REV.	DATE
△	
△	
△	



NOTE:

1. 产品符合ROHS要求.
2. 线材与端子保持力大于 kgf
3. 产品外观依厂内检验规范.
4. 电测: DC300V 绝缘: 10Mohm 导通: 1ohm 时间: 0.1S
5. 头部模具编号: SR 模具编号: 尾部模具编号:
6. 包装规范: 每箱包装: PCS 纸箱规格:
7. 头部外剥尺寸: 头部内剥尺寸:
8. 尾部外剥尺寸: 尾部内剥尺寸:
9. 匹配线径:

未注明公差指定 (单位:mm)	
0~5	±0.2
5~15	±0.3
15~30	±0.5
30~100	±0.8
100~300	±1.0
300~1000	±1.2

①	HLK-508-3, APPROVAL: ROHS REACH	BLACK	1 PCS
NO.	DESCRIPTION	COLOR	QTY

THE INFORMATION CONTAINED HEREIN IS PROPRIETARY TO HONLINK. ANY USE OR DISCLOSURE OF THIS INFORMATION, EXCEPT FOR THE EXCLUSIVE BENEFIT OF HONLINK IS PROHIBITED.

SIGNATURE		DATE: 2022.08.16	
ENGINEER BY:	Ningning Li	PRODUCT NO:	HLK-508-3
MANAGER BY:	David Wang	UNIT:	mm
CHECKED BY:	John Han	SHEET:	1 OF 1
SEALES BY:	Jenny Lee	DWG NO:	HLK-508-3
		REV.	0

HONLINK HONLINK ELECTRICIAN TECHNOLOGY (KUN SHAN) CO., LTD
 HTTP://WWW.HONLINKGROUP.COM