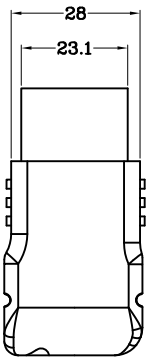
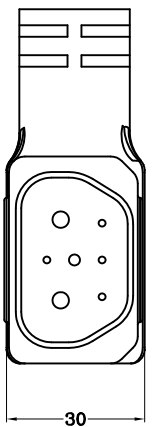
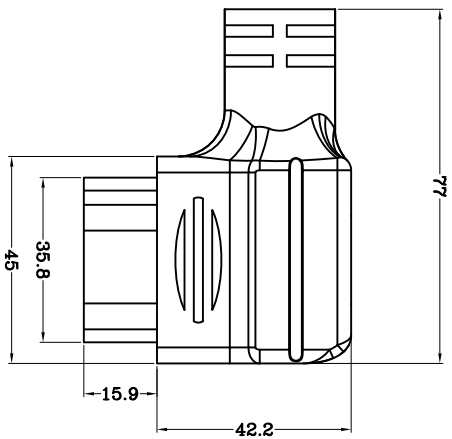


REACH COMPLIANT

CUSTOMER:HLK P/N:HLK-513 品名规格:90A充电器2+1+4 弯头-公

REV. / APPROVE:

REVISIONS		DATE
REV.	DESCRIPTION	
△		
△		
△		



尺寸要求	0-10	10-20	20-30	>30	角度
公差范围	±0.2	±0.4	±0.6	±0.7	±1°

MANAGER BY:		HONLINK [®] HONLINK ELECTRICIAN TECHNOLOGY(KUN SHAN) CO.,LTD HTTP://WWW.HONLINKGROUP.COM
QUALITY BY:		
PRODUCTION BY:		
ENGINEER BY:		
DRAWN BY:	VALLEY	PRODUCT NO:N/A UNIT: mm DATE: 2021.10.06 DWG NO: HLK-513 SHEET: 1 OF 1 REV. 0

THE INFORMATION CONTAINED HEREIN IS PROPRIETARY TO HONLINK. ANY USE OR DISCLOSURE OF THIS INFORMATION, EXCEPT FOR THE EXCLUSIVE BENEFIT OF HONLINK IS PROHIBITED.