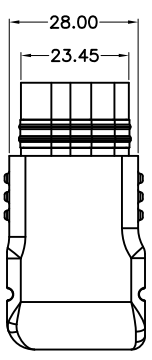
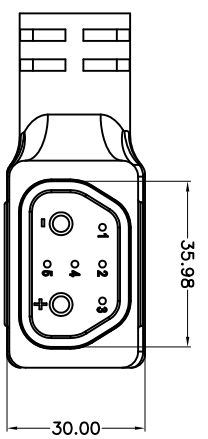
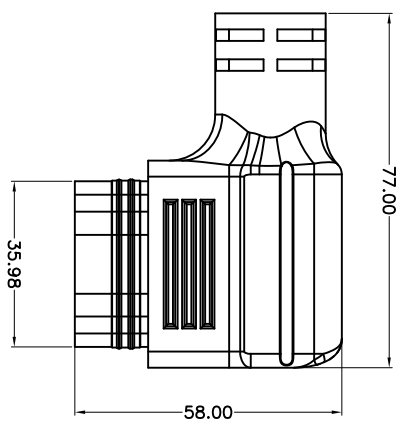


REACH COMPLIANT

CUSTOMER:HLK	P/N:HLK-517	品名规格:90A充电器2+5 防水弯头-公	REV. /	APPROVE:
				REVISIONS
			REV.	DATE
			DESCRIPTION	
			Δ	
			Δ	
			Δ	



尺寸要求	0-10	10-20	20-30	>30	角度
公差范围	±0.2	±0.4	±0.6	±0.7	±1°

MANAGER BY:		HONLINK [®]		HONLINK ELECTRICIAN TECHNOLOGY(KUN SHAN) CO.,LTD
QUALITY BY:				HTTP://WWW.HONLINKGROUP.COM
PRODUCTION BY:		PRODUCT NO:N/A	DATE:	2021.10.06
ENGINEER BY:		UNIT: mm	SHEET: 1 OF 1	REV.
DRAWN BY:	VALLEY	DWG NO: HLK-517		0

THE INFORMATION CONTAINED HEREIN IS PROPRIETARY TO HONLINK. ANY USE OR DISCLOSURE OF THIS INFORMATION, EXCEPT FOR THE EXCLUSIVE BENEFIT OF HONLINK IS PROHIBITED.