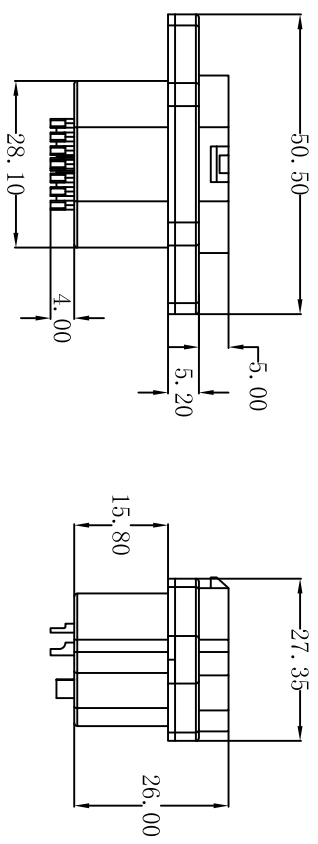
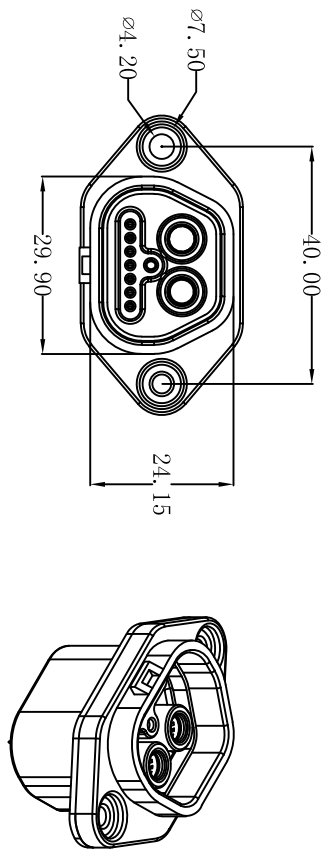


# RoHS COMPLIANT

C/N: HLK P/C: P/N: CUSTOMER REV: APPROVED BY:

REVISIONS			
REV.	DESCRIPTION	DATE	SIGNATURE
△A			
△B			
△C			



- NOTS:
1. Plastic material: PA66+30%GF Black UL94-V0  
塑胶材质: PA66+30%GF 黑色 UL94-V0
  2. Power terminal:  $\phi$ 4.0 material: copper  
电源端子:  $\phi$ 4.0 材质: 黄铜
  3. Rated current: Power: 50A Signal: 2A  
额定电流: 电源: 50A 信号: 2A
  4. Mechanical operation:  $\geq$ 5000 cycles  
插拔寿命:  $\geq$ 5000 次
  5. Degree of protection: IP67  
防护等级: IP67
  6. Suitable wire: Power: 8~10AWG Signal: 22AWG  
适配线材 电源: 8~10AWG 信号: 22AWG
  7. Pull out force: 5~10KG.  
与公头保持力 5~10KG.

未注明公差指定 (单位: mm)	
0~5	$\pm$ 0.2
5~15	$\pm$ 0.3
15~30	$\pm$ 0.5
30~100	$\pm$ 0.8
100~300	$\pm$ 1.0
300~1000	$\pm$ 1.2

1	HLK-526-1	50A 2+1+7PIN Female socket black, Approval:	1PCS
NO.	ITEM	DESCRIPTION	QTY

THE INFORMATION CONTAINED HEREIN IS PROPRIETARY TO HONLIX. ANY USE OR DISCLOSURE OF THIS INFORMATION, EXCEPT FOR THE EXCLUSIVE BENEFIT OF HONLIX IS PROHIBITED.

SIGNATURE		HONLIX INC. HTTP://WWW.HONLIX.COM	
ENGINEER BY:		PRODUCT NO: HLK-XXX	DATE: 2023.02.27
MANAGER BY:		UNIT: mm	SHEET: 1 OF 1
CHECKED BY:		H/C: HLK-526-1	
SEALS BY:		REV. 0	