

CUSTOMER:HLK

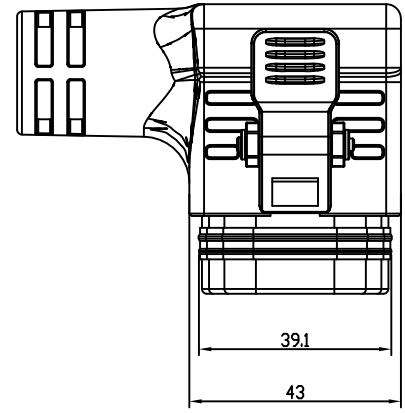
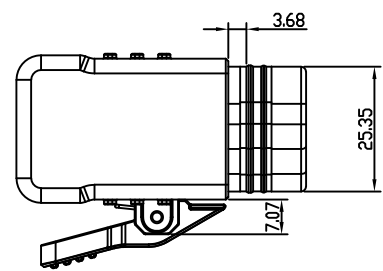
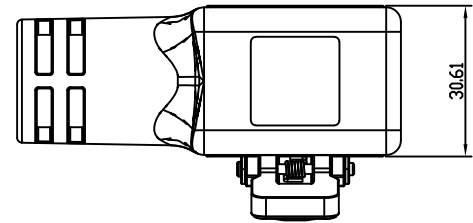
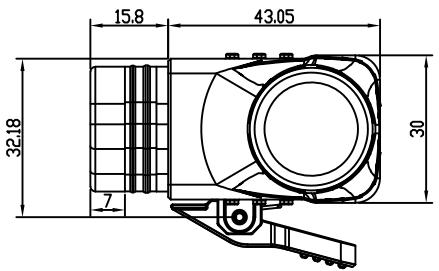
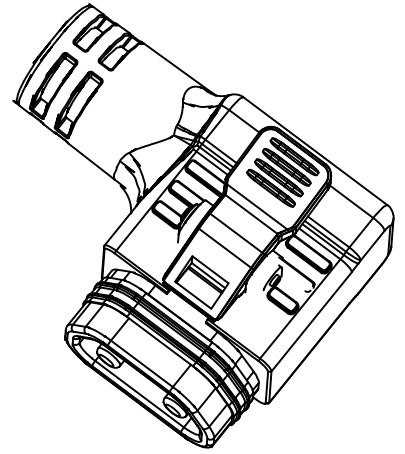
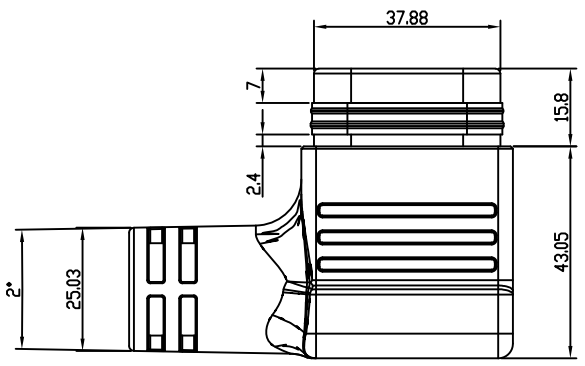
P/N:HLK-527

品名规格:100A PLUS充放电座2+7PIN 公头

REV. /

APPROVE:

REVISIONS		
REV.	DESCRIPTION	DATE
△A		
△B		



0.00	±0.1	0.00	±0.2°
0.0	±0.2	0.0	±0.5°
0	±0.3	0	±1°
尺寸公差		角度公差	

MANAGER BY:		HONLINK HONLINK ELECTRICIAN TECHNOLOGY(KUN SHAN) CO.,LTD HTTP://WWW.HONLINKGROUP.COM		
QUALITY BY:		PRODUCT NO:N/A	DATE: 2022.06.07	
PRODUCTION BY:		UNIT: mm	SHEET: 1 OF 1	REV.
ENGINEER BY:		DWG NO:HLK-527		
DRAWN BY:	SID	0		