

CUSTOMER:HLK

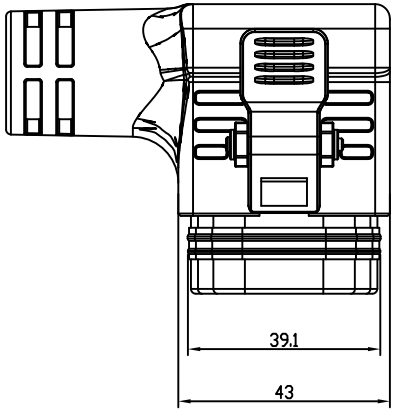
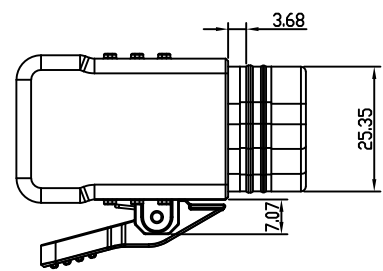
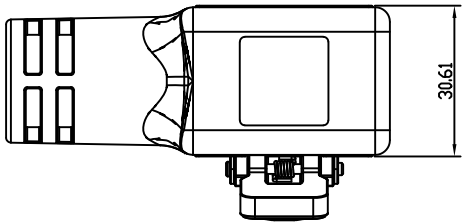
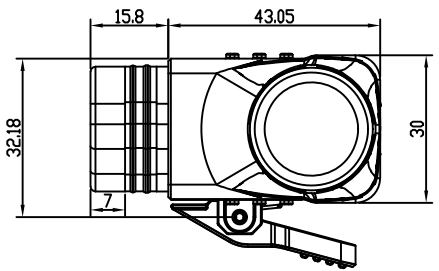
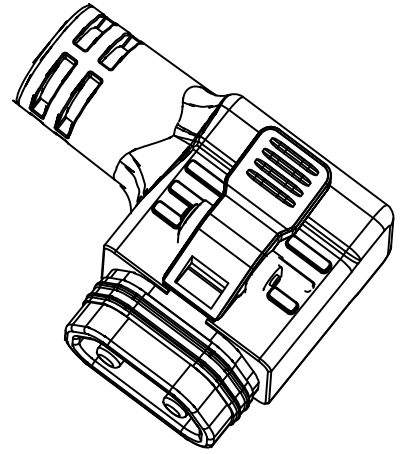
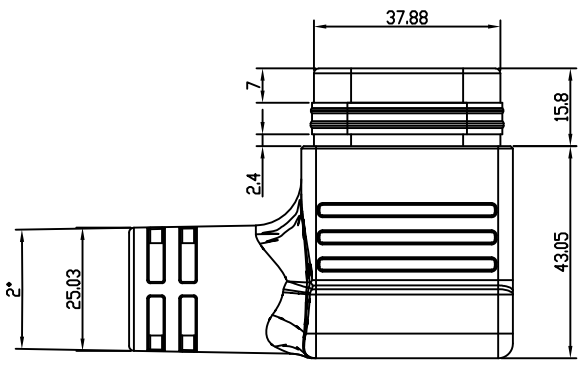
P/N: HLK-529

品名规格: 150A Plus 2+7PIN

REV. /

APPROVE:

REVISIONS		
REV.	DESCRIPTION	DATE
△		
△		



0.00	±0.1	0.00	±0.2°
0.0	±0.2	0.0	±0.5°
0	±0.3	0	±1°
尺寸公差		角度公差	

MANAGER BY:	
QUALITY BY:	
PRODUCTION BY:	
ENGINEER BY:	
DRAWN BY:	SID

HONLINK HONLINK ELECTRICIAN TECHNOLOGY(KUN SHAN) CO.,LTD HTTP://WWW.HONLINKGROUP.COM		
PRODUCT NO:N/A		DATE: 2022.06.07
UNIT: mm	SHEET: 1 OF 1	REV. 0
DWG NO: HLK-529		