

# RoHS COMPLIANT

CUSTOMER:HLK P/N: HLK-604-1

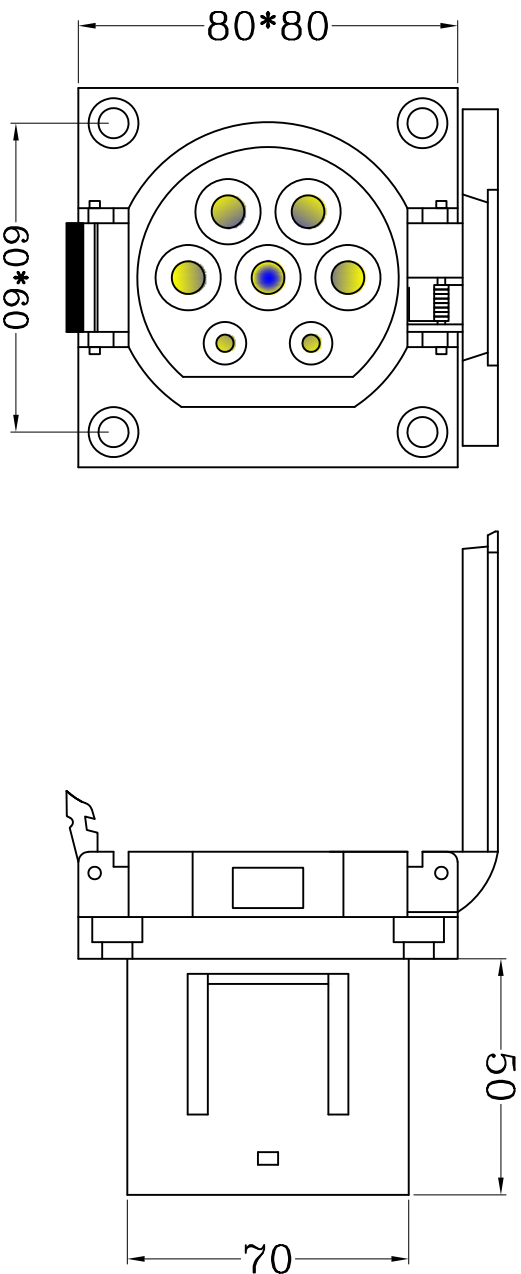
规格: 欧标交流充电电座Plus款

REV.

APPROVED BY:

REVISIONS	
REV.	DESCRIPTION
△A	
△B	
△C	

DATE



- NOTE:
1. 产品符合ROHS要求.
  2. 线材与端子保持力大于 kgf
  3. 产品外观依厂内检验规范.
  4. 电测: DC300V 绝缘: 10Mohm 导通: 1ohm 时间: 0.1S
  5. 头部模具编号: SR 模具编号: 尾部模具编号: 包装规范: 每箱包装: PCS 纸箱规格:
  7. 头部外剥尺寸: 头部内剥尺寸: 尾部外剥尺寸: 尾部内剥尺寸: 匹配线径:

未注明公差指定 (单位:mm)	
0~5	±0.2
5~15	±0.3
15~30	±0.5
30~100	±0.8
100~300	±1.0
300~1000	±1.2

①	HLK-604-1,APPROVAL:ROHS REACH	BLACK	1 PCS
NO.	DESCRIPTION	COLOR	QTY

SIGNATURE	
ENGINEER BY: Ningning Li	
MANAGER BY: David Wang	
CHECKED BY: John Han	
SEALS BY: Xiang li	
<b>HONLINK</b> HONLINK ELECTRICIAN TECHNOLOGY(KUN SHAN) CO.,LTD HTTP://WWW.HONLINKGROUP.COM	
PRODUCT NO:HLK-604-1	DATE: 2022.08.21
UNIT: mm	SHEET: 1 OF 1
DWG NO: HLK-604-1	REV. 0

THE INFORMATION CONTAINED HEREIN IS PROPRIETARY TO HONLINK. ANY USE OR DISCLOSURE OF THIS INFORMATION, EXCEPT FOR THE EXCLUSIVE BENEFIT OF HONLINK IS PROHIBITED.