

REACH COMPLIANT

CUSTOMER:HLK

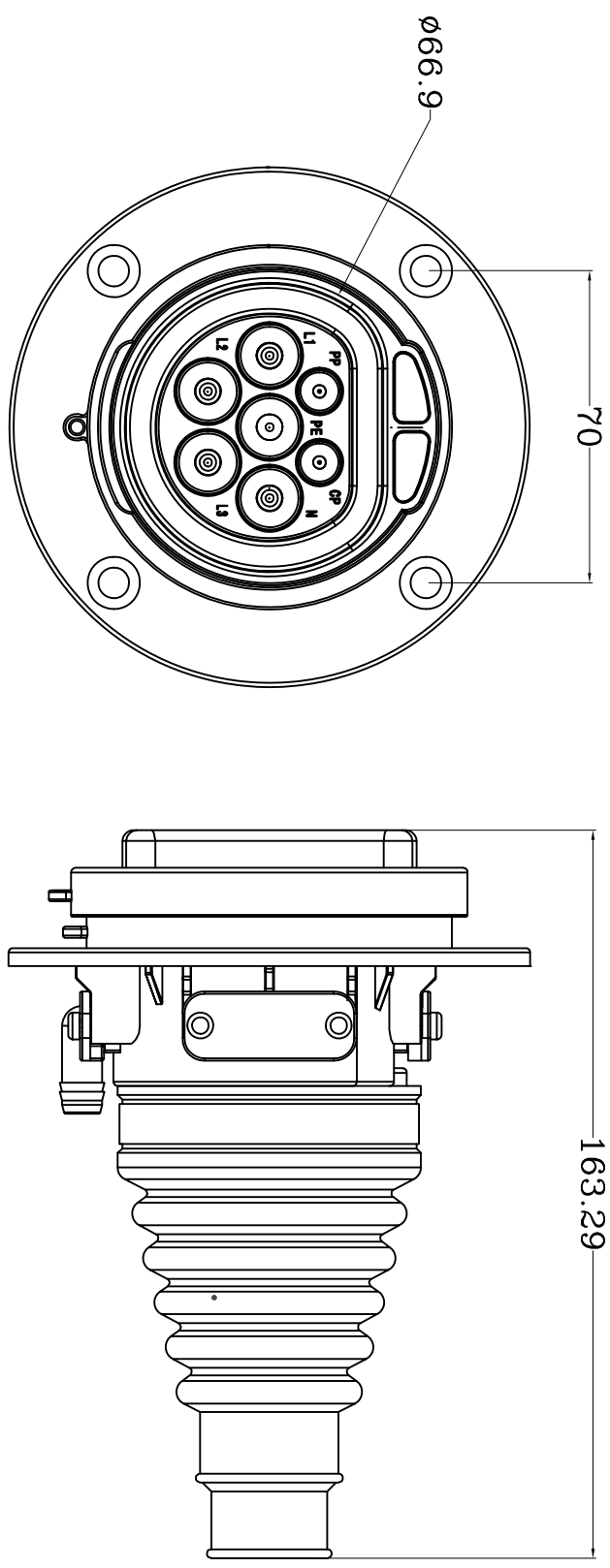
P/N:HLK-604

品名规格:欧标充电座

REV. /

APPROVE:

REVISIONS		DATE
REV.	DESCRIPTION	DATE
△		
△		
△		



尺寸要求	0-10	10-20	20-30	>30	角度
公差范围	±0.2	±0.4	±0.6	±0.7	±1°

THE INFORMATION CONTAINED HEREIN IS PROPRIETARY TO HONLINK. ANY USE OR DISCLOSURE OF THIS INFORMATION, EXCEPT FOR THE EXCLUSIVE BENEFIT OF HONLINK IS PROHIBITED.

MANAGER BY: **HONLINK** HONLINK ELECTRICIAN TECHNOLOGY(KUN SHAN) CO.,LTD
 QUALITY BY: [HTTP://WWW.HONLINKGROUP.COM](http://www.honlinkgroup.com)

PRODUCTION BY:	UNIT: mm	DATE: 2021.10.06	REV.
ENGINEER BY:	DWG NO: HLK-604	SHEET: 1 OF 1	0
DRAWN BY: VALLEY			