

REACH COMPLIANT

CUSTOMER:HLK

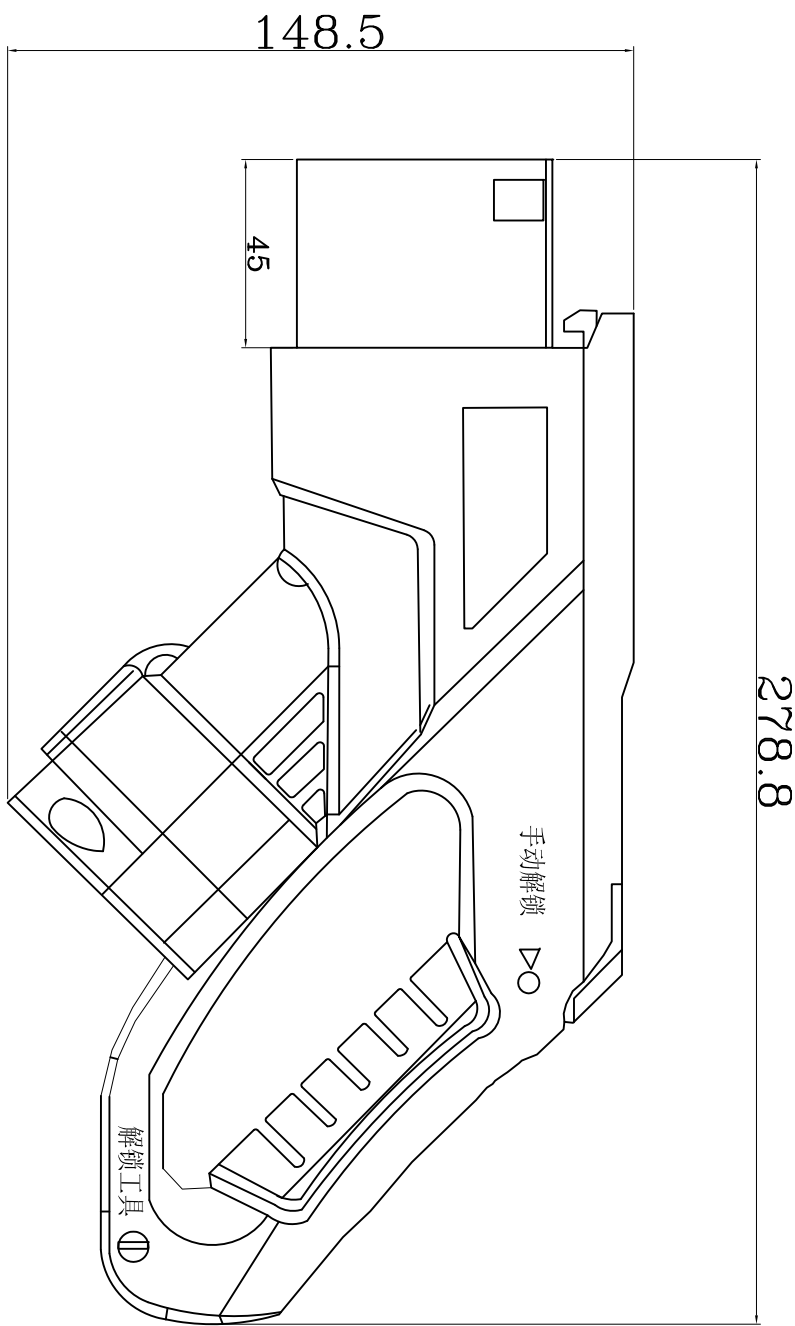
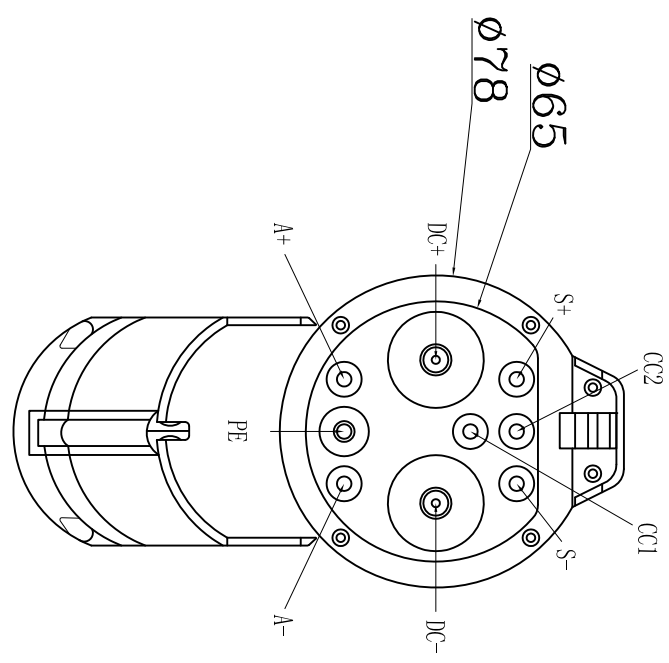
P/N:HLK-607

品名规格: 国标F直流充电枪

REV. /

APPROVE:

REVISIONS		DATE
REV.	DESCRIPTION	DATE
△		
△		
△		



278.8

尺寸要求	0-10	10-20	20-30	>30	角度
公差范围	±0.2	±0.4	±0.6	±0.7	±1°

MANAGER BY:		<b>HONLINK</b> HONLINK ELECTRICIAN TECHNOLOGY(KUN SHAN) CO.,LTD	
QUALITY BY:		HTTP://WWW.HONLINKGROUP.COM	
PRODUCTION BY:		PRODUCT NO:N/A	DATE: 2022.02.10
ENGINEER BY:		UNIT: mm	SHEET: 1 OF 1
DRAWN BY:	VALLEY	DWG NO: HLK-607	REV. 0

THE INFORMATION CONTAINED HEREIN IS PROPRIETARY TO HONLINK. ANY USE OR DISCLOSURE OF THIS INFORMATION, EXCEPT FOR THE EXCLUSIVE BENEFIT OF HONLINK IS PROHIBITED.