

REACH COMPLIANT

CUSTOMER:HLK

P/N:HLK-608

品名规格: 国标直流充电座

REV. /

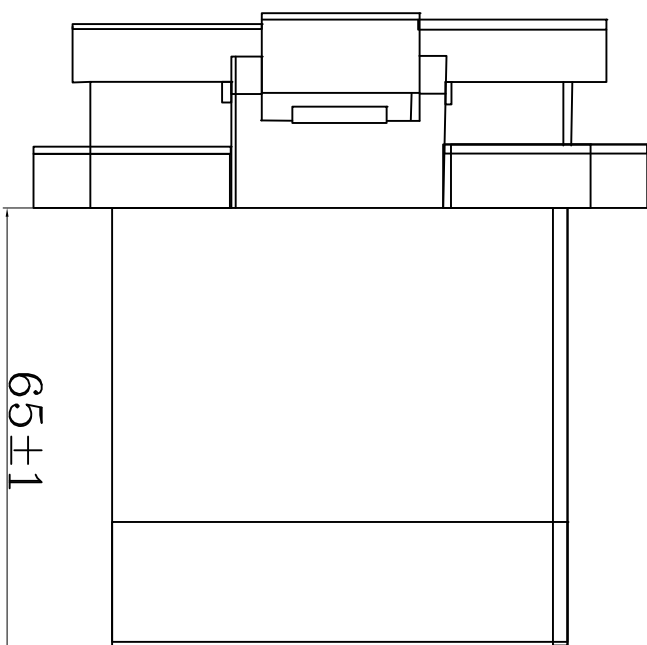
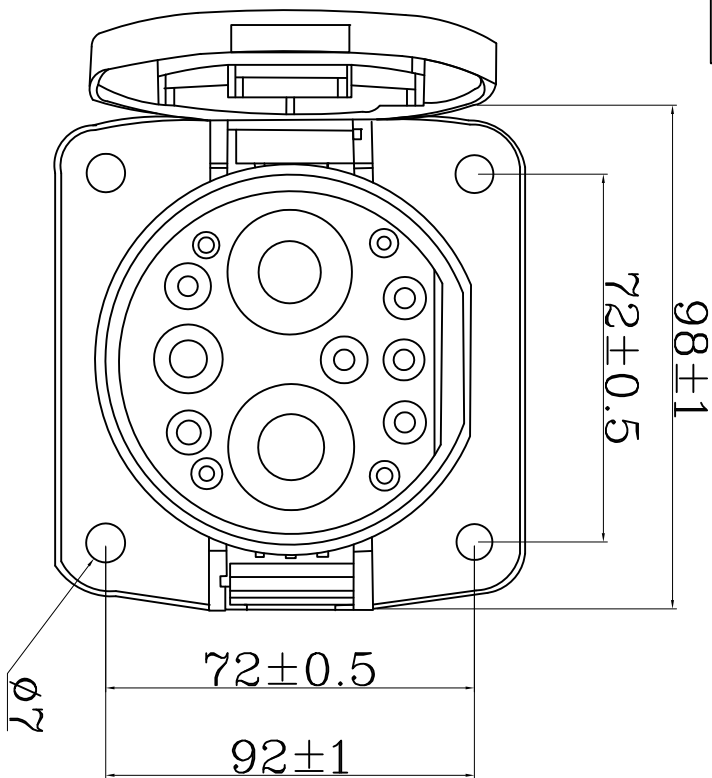
APPROVE:

REVISIONS	
REV.	DESCRIPTION
△	
△	
△	

DATE

电阻放入插座体内

R
1.0KΩ



尺寸要求	0-10	10-20	20-30	>30	角度
公差范围	±0.2	±0.4	±0.6	±0.7	±1°

MANAGER BY: **HONLINK** HONLINK ELECTRICIAN TECHNOLOGY(KUN SHAN) CO.,LTD
 QUALITY BY: **HONLINK** HTTP://WWW.HONLINKGROUP.COM

PRODUCTION BY: PRODUCT NO:N/A DATE: 2022.02.10

ENGINEER BY: UNIT: mm SHEET: 1 OF 1 REV.

DRAWN BY: VALLEY DWG NO: HLK-608 0

THE INFORMATION CONTAINED HEREIN IS PROPRIETARY TO HONLINK. ANY USE OR DISCLOSURE OF THIS INFORMATION, EXCEPT FOR THE EXCLUSIVE BENEFIT OF HONLINK IS PROHIBITED.