

**REACH COMPLIANT**

CUSTOMER:HLK

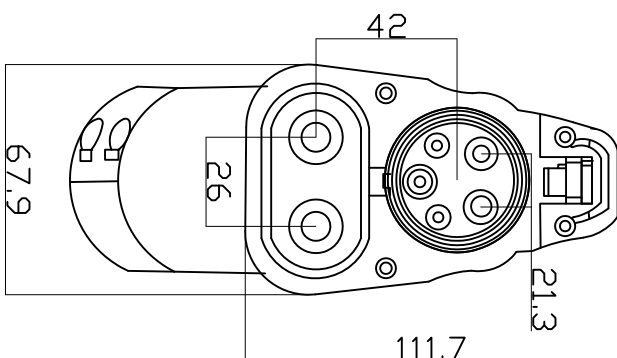
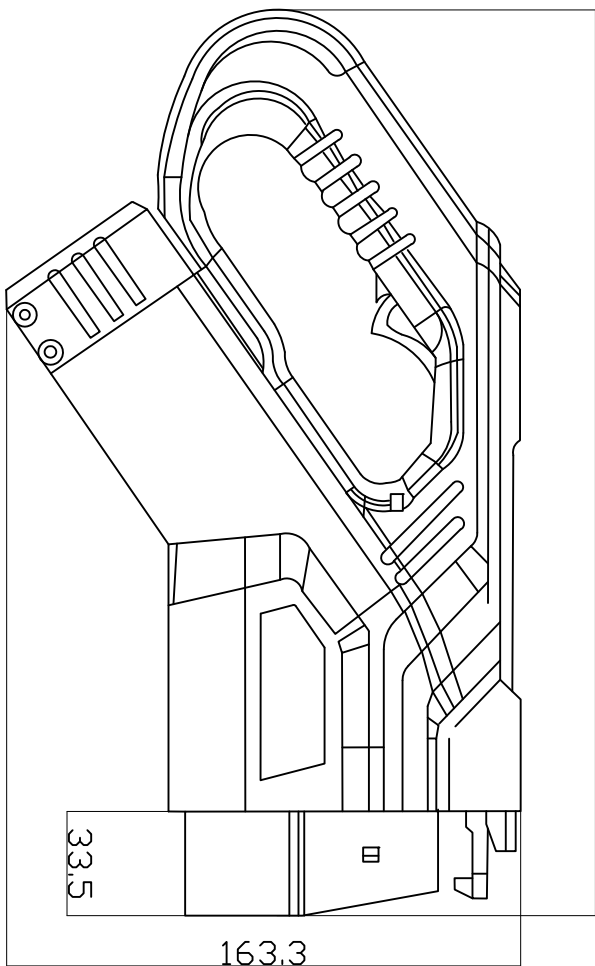
P/N:HLK-611

品名规格:美标直流充电枪

REV. /

APPROVE:

REVISIONS		DATE
REV.	DESCRIPTION	DATE
△		
△		
△		



尺寸要求	0-10	10-20	20-30	>30	角度
公差范围	±0.2	±0.4	±0.6	±0.7	±1°

MANAGER BY: **HONLINK** HONLINK ELECTRICIAN TECHNOLOGY(KUN SHAN) CO.,LTD  
 QUALITY BY: [HTTP://WWW.HONLINKGROUP.COM](http://www.honlinkgroup.com)

PRODUCTION BY:		PRODUCT NO:N/A	DATE: 2022.02.10
ENGINEER BY:		UNIT: mm	SHEET: 1 OF 1
DRAWN BY: VALLEY		DWG NO: HLK-611	REV. 0

THE INFORMATION CONTAINED HEREIN IS PROPRIETARY TO HONLINK. ANY USE OR DISCLOSURE OF THIS INFORMATION, EXCEPT FOR THE EXCLUSIVE BENEFIT OF HONLINK IS PROHIBITED.