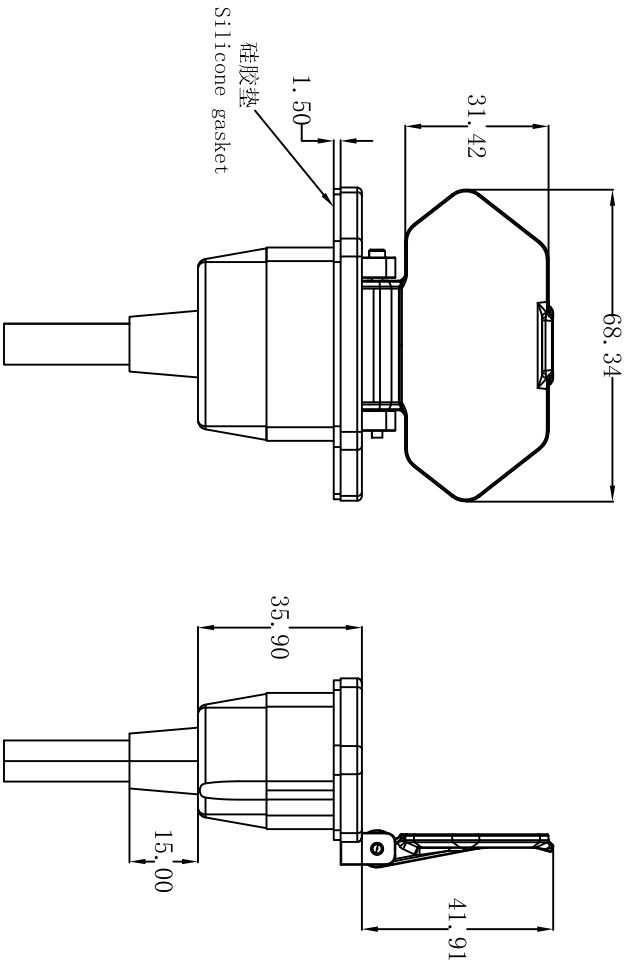
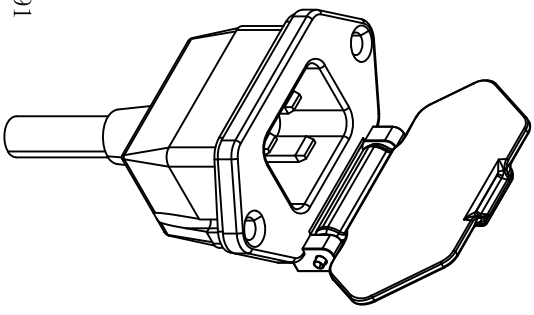
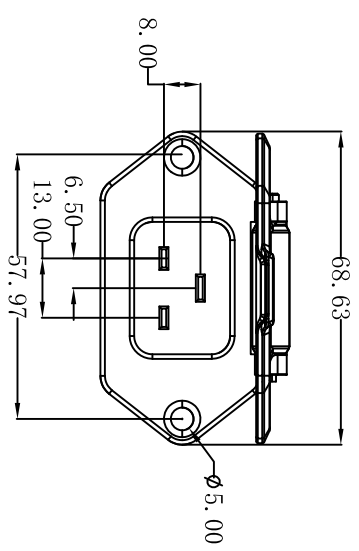


RoHS COMPLIANT

C/N: HLK P/C:16A Socket P/N:HLK-500

CUSTOMER REV: APPROVED BY:

REVISIONS			
REV.	DESCRIPTION	DATE	SIGNATURE
△A			
△B			
△C			



- NOTS:
1. Plastic material: PA66+30%GF Black UL94-V0
Molding: PVC Black
塑胶材质: PA66+30%GF 黑色 UL94-V0
成型料: PVC 黑色
 2. Rated current: Power: 16A
额定电流: 电源: 16A

未注明公差指定 (单位:mm)	
0~5	±0.2
5~15	±0.3
15~30	±0.5
30~100	±0.8
100~300	±1.0
300~1000	±1.2

1	HLK-500	16A 3PIN Female socket black, Approval:	1PCS
NO.	ITEM	DESCRIPTION	QTY

THE INFORMATION CONTAINED HEREIN IS PROPRIETARY TO HONLIX. ANY USE OR DISCLOSURE OF THIS INFORMATION, EXCEPT FOR THE EXCLUSIVE BENEFIT OF HONLIX IS PROHIBITED.

SIGNATURE		HONLIX INC. HTTP://WWW.HONLIX.COM	
ENGINEER BY:		PRODUCT NO:HLK-XXX	DATE: 2023.07.08
MANAGER BY:		UNIT: mm	SHEET: 1 OF 1
CHECKED BY:		H/C: HLK-500	
SEALS BY:			REV. 0