

RoHS COMPLIANT

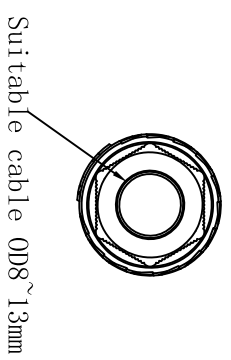
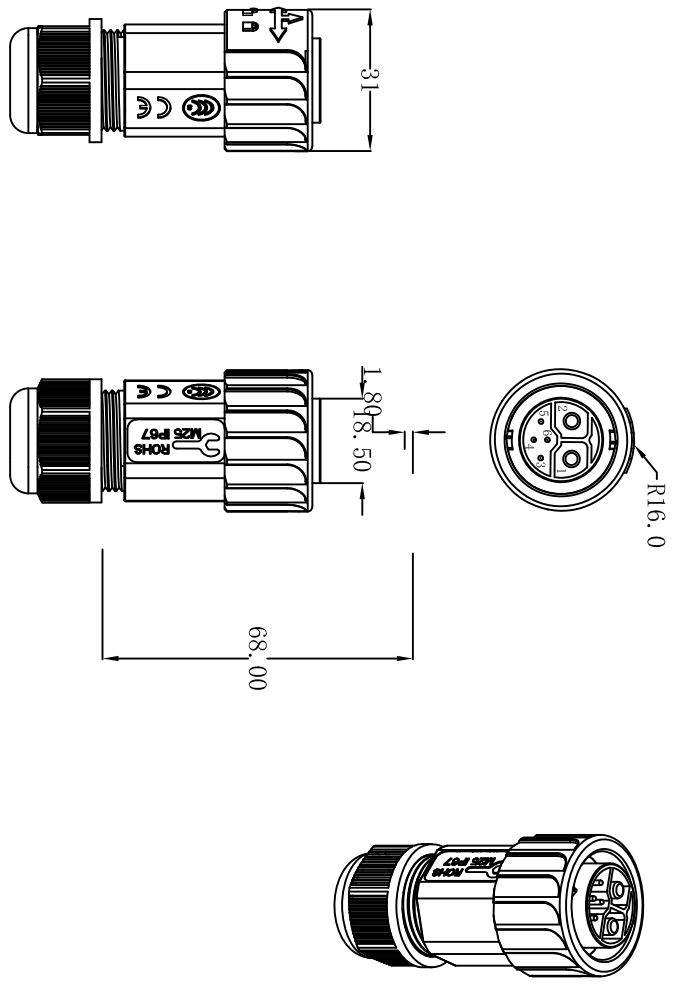
C/N: HLK P/C: HLK-507-4 P/N: HLK-507-4 50A 2+4PIN

CUSTOMER REV: APPROVED BY:

REVISIONS			
REV.	DESCRIPTION	DATE	SIGNATURE
△A			
△B			
△C			

NOTS:

1. Plastic material: High performance engineering plastics
塑胶材质: 高性能工程塑胶.
2. Terminal: $\phi 3.6*2+\phi 1.0*4$ material: copper gold plated
端子: $\phi 3.6*2+\phi 1.0*4$ 材质: 黄铜镀金
3. Rated current: Power: 50A Signal: 5A
额定电流: 电源: 50A 信号: 5A
4. Rated voltage: Power: 500V Signal: 60V
5. Insulation resistance: 500M Ω Min.
6. Contact impedance: 10m Ω Max
7. Degree of protection: IP67
防护等级: IP67



未注明公差指定 (单位: mm)	
0 ~ 5	±0.2
5 ~ 15	±0.3
15 ~ 30	±0.5
30 ~ 100	±0.8
100 ~ 300	±1.0
300 ~ 1000	±1.2

1	HLK-507-4	50A 2+4PIN Male plug black, Approval:	1PCS
NO.	ITEM	DESCRIPTION	QTY

SIGNATURE

ENGINEER BY:

MANAGER BY:

CHECKED BY:

SEALS BY:



HONLIX INC.
HTTP://WWW.HONLIX.COM

PRODUCT NO: HLK-507-4 DATE: 2023.6.9

UNIT: mm SHEET: 1 OF 1 REV.

H/C: HLK-507-4 0

THE INFORMATION CONTAINED HEREIN IS PROPRIETARY TO HONLIX. ANY USE OR DISCLOSURE OF THIS INFORMATION, EXCEPT FOR THE EXCLUSIVE BENEFIT OF HONLIX IS PROHIBITED.