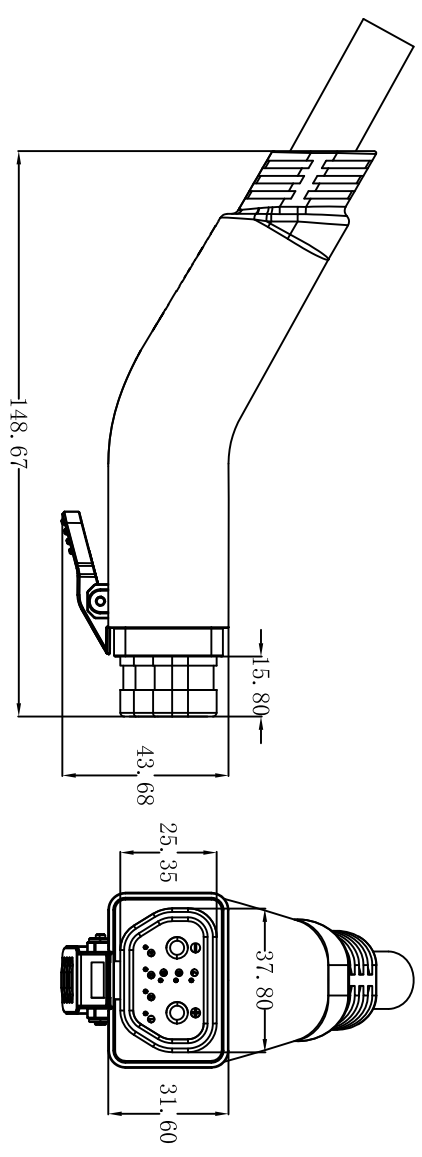
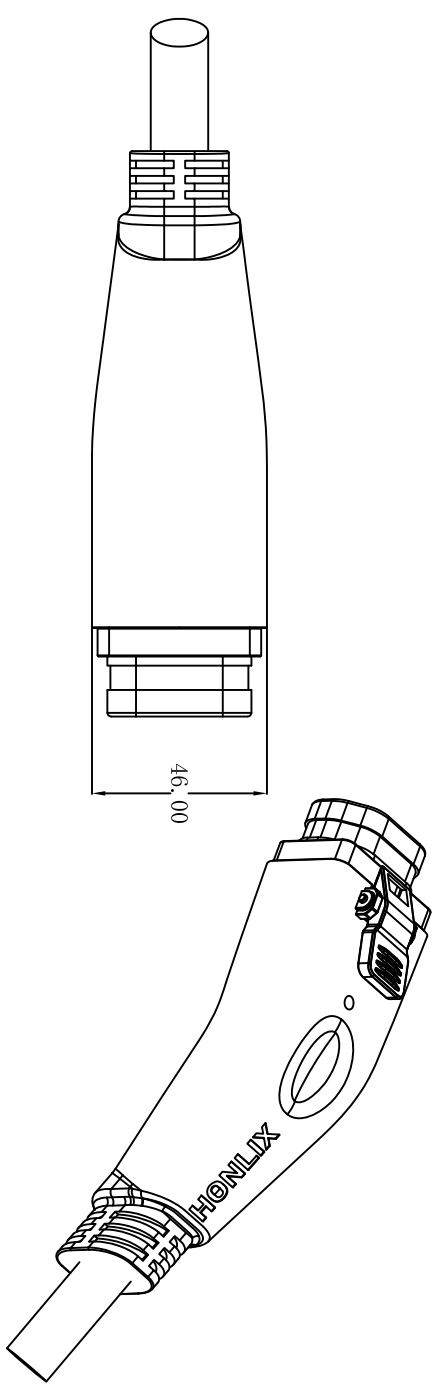


# RoHS COMPLIANT

C/N: HLK P/C: P/N: CUSTOMER REV: APPROVED BY:

REVISIONS			
REV.	DESCRIPTION	DATE	SIGNATURE
A			
B			
C			



- NOTS:
1. Plastic material: PA66+30%GF Black UL94-V0  
Molding: PVC Black  
塑胶材质: PA66+30%GF 黑色 UL94-V0  
成型料: PVC 黑色
  2. Power terminal:  $\phi 4.0$  material: Pure copper  
电源端子:  $\phi 5.7$  材质: 紫铜
  3. Rated current: Power: 150A Signal: 2A  
额定电流: 电源: 150A 信号: 2A
  4. Mechanical operation:  $\geq 5000$  cycles  
插拔寿命:  $\geq 5000$  次
  5. Degree of protection: IP67  
防护等级: IP67

未注明公差指定 (单位:mm)	
0~5	$\pm 0.2$
5~15	$\pm 0.3$
15~30	$\pm 0.5$
30~100	$\pm 0.8$
100~300	$\pm 1.0$
300~1000	$\pm 1.2$

1	HLK-529-1	150A 2+7PIN Male plug black, Approval:	1PCS
NO.	ITEM	DESCRIPTION	QTY

THE INFORMATION CONTAINED HEREIN IS PROPRIETARY TO HONLIX. ANY USE OR DISCLOSURE OF THIS INFORMATION, EXCEPT FOR THE EXCLUSIVE BENEFIT OF HONLIX IS PROHIBITED.

SIGNATURE		HONLIX INC. HTTP://WWW.HONLIX.COM	
ENGINEER BY:		PRODUCT NO: HLK-XXX	DATE: 2023.7.13
MANAGER BY:		UNIT: mm	SHEET: 1 OF 1
CHECKED BY:		H/C: HLK-529-1	
SEALS BY:		REV.	0