

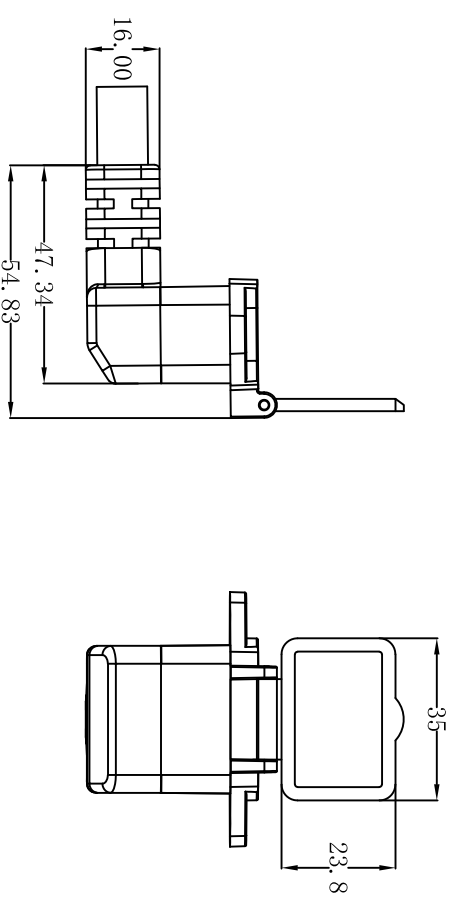
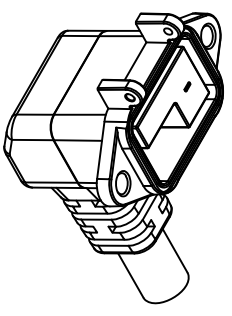
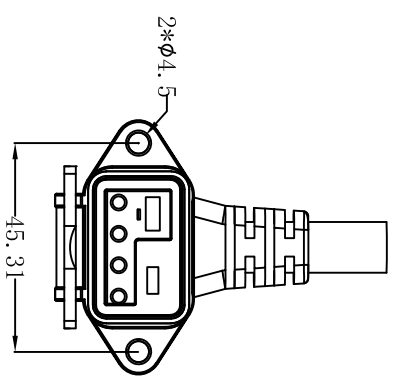
# RoHS COMPLIANT

C/N: HLK P/C: P/N: 锂电2+4PIN 弯母座 CUSTOMER REV: APPROVED BY:

REVISIONS			
REV.	DESCRIPTION	DATE	SIGNATURE
△A			
△B			
△C			

**NOTES:**

1. Plastic material: PA66+30%GF Black UL94-V0  
Molding: PVC Black  
塑胶材质: PA66+30%GF 黑色 UL94-V0  
成型料: PVC 黑色
2. Rated current: Power: 50A Signal: 2A  
额定电流: 电源: 20A 信号: 2A
3. Mechanical operation:  $\geq 5000$  cycles  
插拔寿命:  $\geq 5000$  次



未注明公差指定 (单位:mm)	
0~5	±0.2
5~15	±0.3
15~30	±0.5
30~100	±0.8
100~300	±1.0
300~1000	±1.2

SIGNATURE		DATE: 2023.12.05	
ENGINEER BY:		PRODUCT NO: HLK-XXX	SHEET: 1 OF 1
MANAGER BY:		UNIT: mm	REV. 0
CHECKED BY:		H/C: HLK-502-7	
SEALS BY:			

**HONLIX**<sup>®</sup> HONLIX INC.  
HTTP://WWW.HONLIX.COM

THE INFORMATION CONTAINED HEREIN IS PROPRIETARY TO HONLIX. ANY USE OR DISCLOSURE OF THIS INFORMATION, EXCEPT FOR THE EXCLUSIVE BENEFIT OF HONLIX IS PROHIBITED.