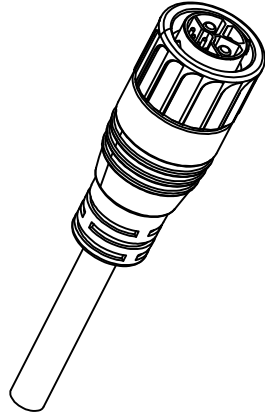
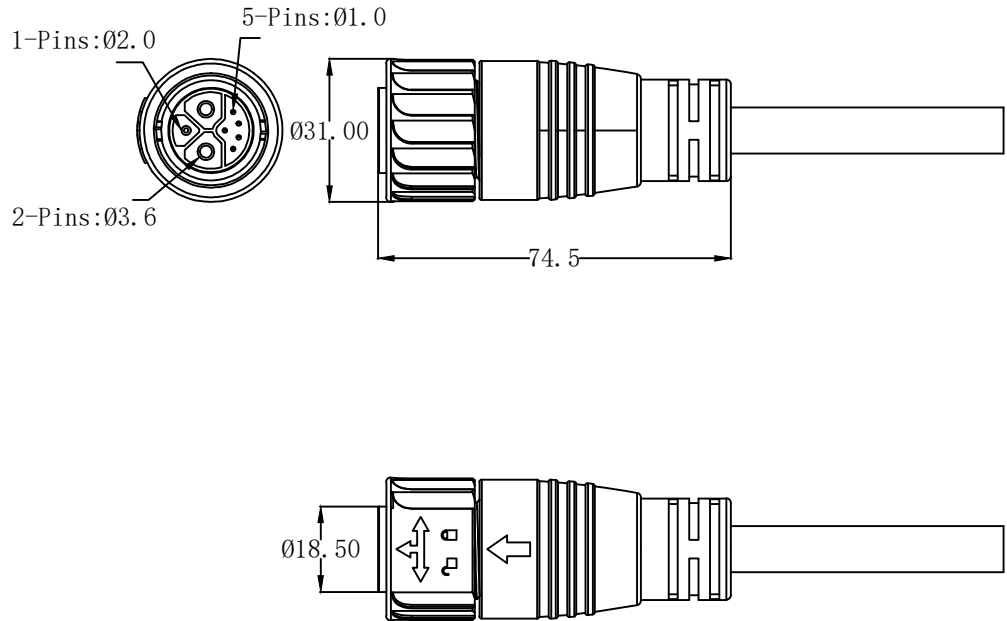


C/N: HLK P/C: P/N:HLK-507-3 2+1+5PIN CUSTOMER REV: APPROVED BY:


REVISIONS			
REV.	DESCRIPTION	DATE	SIGNATURE
△			
△			
△			



NOTS:

1. Plastic material: High performance engineering plastics. Molding: PVC Black
 塑胶材质: 高性能工程塑胶
 成型料: PVC 黑色
2. Terminal: 03.6*2, 02.0*1, 01.0*5 Gold Plated Solid Copper needle
 端子: 03.6*2, 02.0*1, 01.0*5 镀金实心铜针.
3. Rated current: 50A*2, 15A*1, 5A*5
 额定电流: 50A*2, 15A*1, 5A*5
4. Mechanical operation: ≥5000 cycles
 插拔寿命: ≥5000 次
5. Degree of protection: IP67
 防护等级: IP67
6. Power PIN Suitable wire: 6.0mm² Max
 适配线材电源PIN: 6.0mm² 最大

未注明公差指定 (单位:mm)	
0~5	±0.2
5~15	±0.3
15~30	±0.5
30~100	±0.8
100~300	±1.0
300~1000	±1.2

SIGNATURE		 HONLIX INC. HTTP://WWW.HONLIX.COM		
ENGINEER BY:		PRODUCT NO:HLK-XXX	DATE: 2023.8.25	
MANAGER BY:		UNIT: mm	SHEET: 1 OF 1	REV.
CHECKED BY:		H/C: HLK-507-3		
SEALES BY:		0		