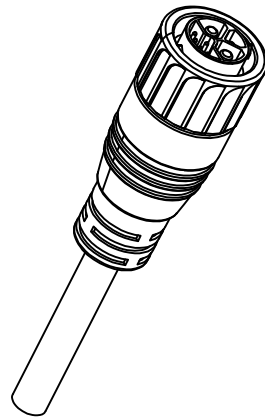
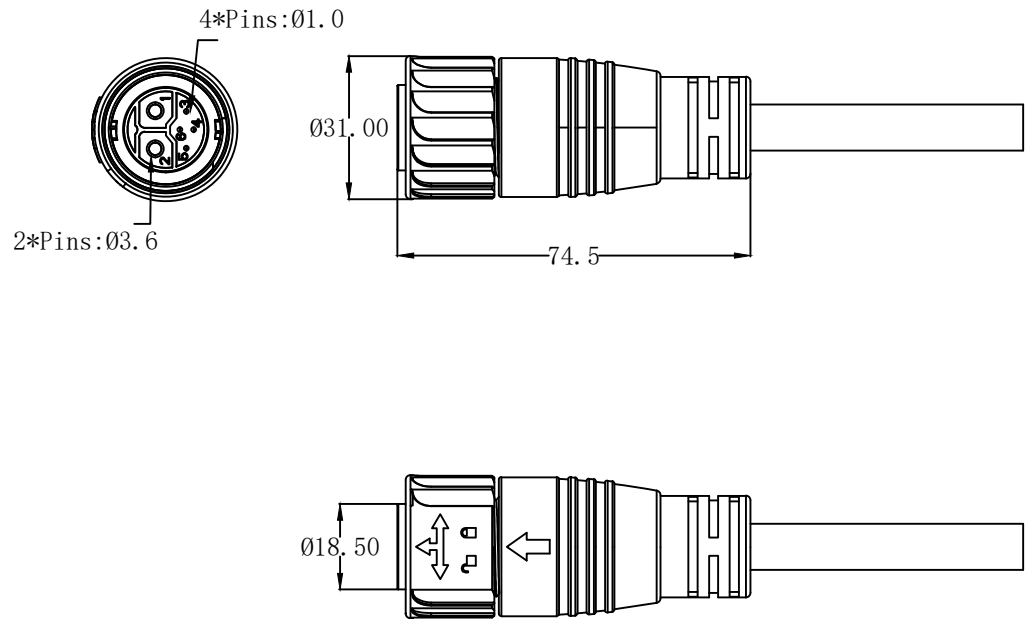


C/N: HLK	P/C:	P/N:HLK-507-5 2+4PIN	CUSTOMER REV:	APPROVED BY:
----------	------	----------------------	---------------	--------------


REVISIONS			
REV.	DESCRIPTION	DATE	SIGNATURE
△			
△			
△			



**NOTS:**

1. Plastic material: High performance engineering plastics. Molding: PVC Black  
 塑胶材质: 高性能工程塑胶  
 成型料: PVC 黑色
2. Terminal: 03.6\*2, 01.0\*4 Gold Plated Solid Copper needle  
 端子: 03.6\*2, 01.0\*4 镀金实心铜针.
3. Rated current: 50A\*2, 5A\*5  
 额定电流: 50A\*2, 5A\*5
4. Mechanical operation: ≥5000 cycles  
 插拔寿命: ≥5000 次
5. Degree of protection: IP67  
 防护等级: IP67
6. Power PIN Suitable wire: 6.0mm<sup>2</sup> Max  
 适配线材电源PIN: 6.0mm<sup>2</sup> 最大

未注明公差指定 (单位:mm)	
0~5	±0.2
5~15	±0.3
15~30	±0.5
30~100	±0.8
100~300	±1.0
300~1000	±1.2

SIGNATURE		 HONLIX INC. HTTP://WWW.HONLIX.COM		
ENGINEER BY:				
MANAGER BY:		UNIT: mm	SHEET: 1 OF 1	REV.
CHECKED BY:		H/C: HLK-507-5		0
SEALS BY:				