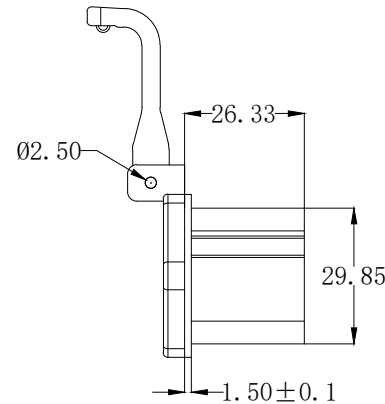
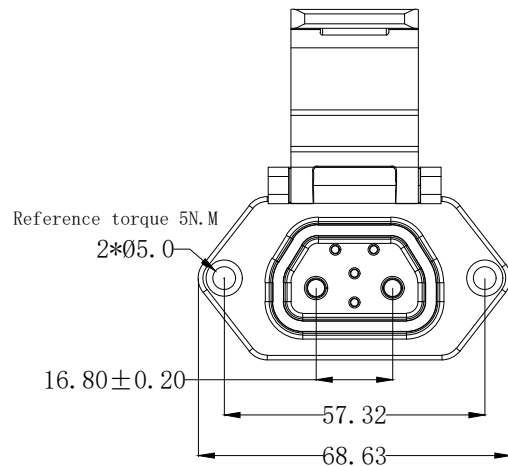
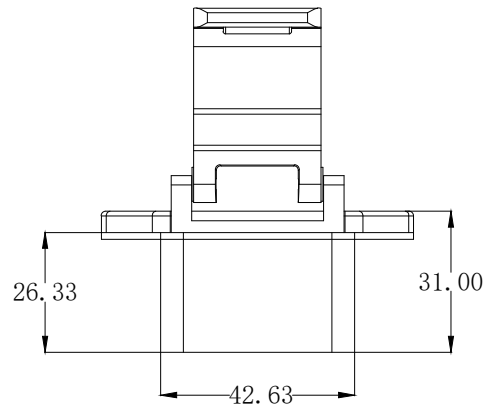


C/N: HLK	P/C:	P/N:HLK-512 2+4 FEMALE	CUSTOMER REV:	APPROVED BY:
----------	------	------------------------	---------------	--------------

REVISIONS			
REV.	DESCRIPTION	DATE	SIGNATURE
△A			
△B			
△C			

**NOTS:**

1. Plastic material:PA66+30%GF Black UL94-V0  
Molidng:PVC Black  
塑胶材质:PA66+30%GF 黑色 UL94-V0
2. Terminal:  
Ø3.6\*2 Material:Phosphorous copper, gold plated  
Ø1.5\*4 Material:Copper, contact gold plated.  
端子:  
Ø3.6\*2 材质:磷铜, 镀金  
Ø1.5\*4 材质:黄铜, 触点镀金
3. Rated current:Power:60A, Signal:2A  
额定电流:电源:60A 信号:2A
4. Mechanical operation:≥5000 cycles  
插拔寿命: ≥5000 次
5. Pull out force:20~100N.  
与公头保持力20~100N.
6. Ambient temperature (operation):-10~+105°C.  
耐温范围:-10~+105°C.



未注明公差指定 (单位:mm)	
0~5	±0.2
5~15	±0.3
15~30	±0.5
30~100	±0.8
100~300	±1.0
300~1000	±1.2

SIGNATURE		 HONLIX INC. HTTP://WWW.HONLIX.COM	
ENGINEER BY:			
MANAGER BY:		PRODUCT NO:HLK-XXX	DATE: 2023.12.04
CHECKED BY:		UNIT: mm	SHEET: 1 OF 1
SEALES BY:		H/C: HLK-512	
		REV. 0	