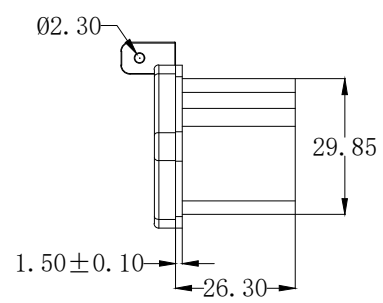
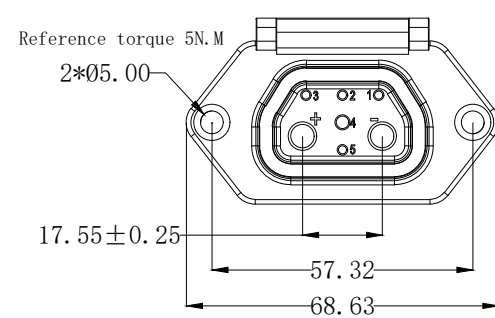
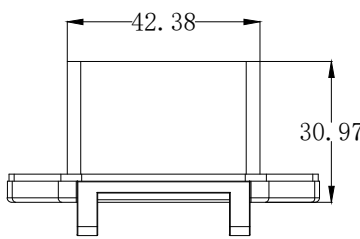


C/N: HLK	P/C:	P/N:HLK-514 2+1+4 FEMALE	CUSTOMER REV:	APPROVED BY:
----------	------	--------------------------	---------------	--------------


REVISIONS			
REV.	DESCRIPTION	DATE	SIGANTURE
△A			
△B			
△C			



NOTS:

1. Plastic material:PA66+30%GF Black UL94-V0
Molidng:PVC Black
塑胶材质:PA66+30%GF 黑色 UL94-V0
2. Terminal:
Ø5.0*2 Material:Red copper, gold plated
Ø2.4*1 Material:Copper, silver plated
Ø1.5*4 Material:Copper,contact gold plated.
端子:
Ø5.0*2 材质:黄铜,镀金
Ø2.4*1 材质:黄铜,镀银
Ø1.5*5 材质:黄铜,触点镀金
3. Rated current:Power:90A, Signal:20A*1, 2A*4
额定电流:电源:90A 信号:20A*1, 2A*4
4. Mechanical operation:≥5000 cycles
插拔寿命: ≥5000 次
5. Pull out force:20~100N.
与公头保持力20~100N.
6. Ambient temperature(operation):-10~+105°C.
耐温范围:-10~+105°C.

未注明公差指定 (单位:mm)	
0~5	±0.2
5~15	±0.3
15~30	±0.5
30~100	±0.8
100~300	±1.0
300~1000	±1.2

SIGNATURE		 HONLIX INC. HTTP://WWW.HONLIX.COM	
ENGINEER BY:			
MANAGER BY:		PRODUCT NO:	DATE: 2023.12.04
CHECKED BY:		UNIT: mm	SHEET: 1 OF 1
SEALES BY:		H/C: HLK-514	
		REV. 0	