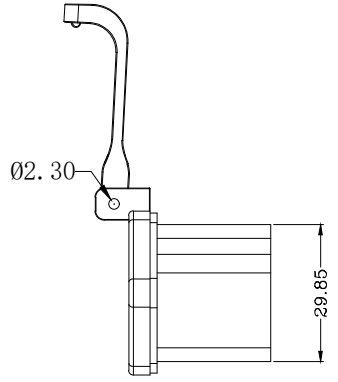
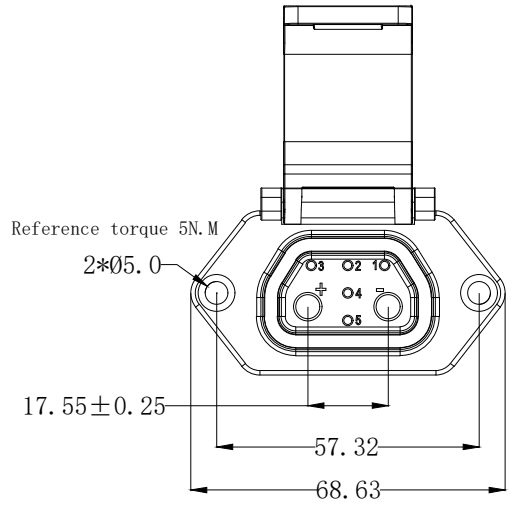
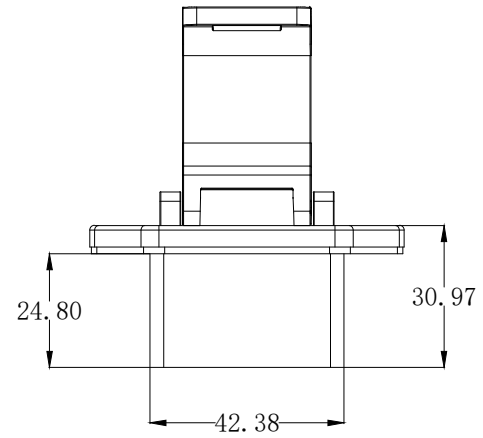


C/N: HLK    P/C:    P/N:HLK-516 2+5 FEMALE    CUSTOMER REV:    APPROVED BY:

REVISIONS			
REV.	DESCRIPTION	DATE	SIGANTURE
△A			
△B			
△C			



- NOTS:
1. Plastic material: PA66+30%GF Black UL94-V0  
Molidng: PVC Black  
塑胶材质: PA66+30%GF 黑色 UL94-V0
  2. Terminal:  
Ø5.0\*2 Material: Red copper, gold plated  
Ø1.5\*5 Material: Copper, contact gold plated.  
端子:  
Ø5.0\*2 材质: 黄铜, 镀金  
Ø1.5\*5 材质: 黄铜, 触点镀金
  3. Rated current: Power: 90A, Signal: 2A  
额定电流: 电源: 90A 信号: 2A
  4. Mechanical operation: ≥5000 cycles  
插拔寿命: ≥5000 次
  5. Pull out force: 20~100N.  
与公头保持力 20~100N.
  6. Ambient temperature (operation): -10~+105°C.  
耐温范围: -10~+105°C.

未注明公差指定 (单位:mm)	
0~5	±0.2
5~15	±0.3
15~30	±0.5
30~100	±0.8
100~300	±1.0
300~1000	±1.2

SIGNATURE		HONLIX INC. <a href="http://www.honlix.com">HTTP://WWW.HONLIX.COM</a>		
ENGINEER BY:				PRODUCT NO:
MANAGER BY:		UNIT: mm	SHEET: 1 OF 1	REV.
CHECKED BY:		H/C: HLK-516		0
SEALES BY:				