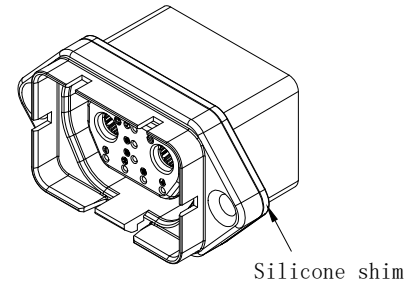
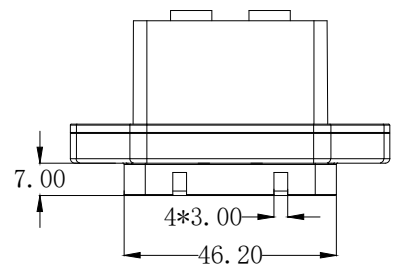
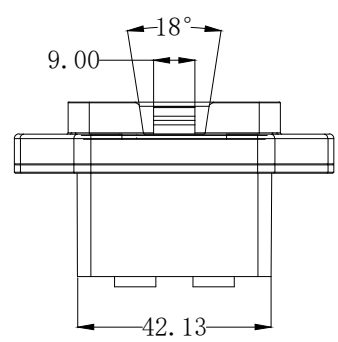
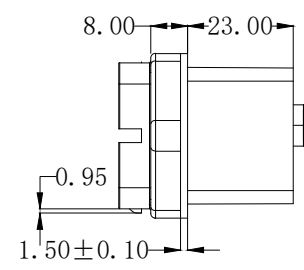
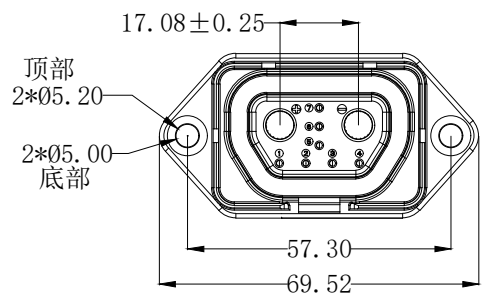


C/N: HLK	P/C:	P/N:HLK-528 2+7 FEMALE	CUSTOMER REV:	APPROVED BY:
----------	------	------------------------	---------------	--------------


REVISIONS			
REV.	DESCRIPTION	DATE	SIGANTURE
△A			
△B			
△C			



- NOTS:
1. Plastic material:PA66+30%GF Black UL94-V0
Molidng:PVC Black
塑胶材质:PA66+30%GF 黑色 UL94-V0
 2. Terminal:
Ø5.7*2 Material:Red copper, silver plated
Ø1.0*7 Material:Copper, silver plated
端子:
Ø5.7*2 材质:黄铜, 镀银
Ø1.0*7 材质:黄铜, 镀银
 3. Rated current:Power:90A, Signal:2A
额定电流:电源:100A 信号:2A
 4. Mechanical operation:≥5000 cycles
插拔寿命: ≥5000 次
 5. Pull out force:20~100N.
与公头保持力20~100N.
 6. Ambient temperature (operation):-10~+105°C.
耐温范围:-10~+105°C.
 7. Degree of protection:IP67
防护等级: IP67



未注明公差指定 (单位:mm)	
0~5	±0.2
5~15	±0.3
15~30	±0.5
30~100	±0.8
100~300	±1.0
300~1000	±1.2

SIGNATURE		 HONLIX INC. HTTP://WWW.HONLIX.COM		
ENGINEER BY:				PRODUCT NO:
MANAGER BY:		UNIT: mm	SHEET: 1 OF 1	REV.
CHECKED BY:		H/C: HLK-528		0
SEALES BY:				