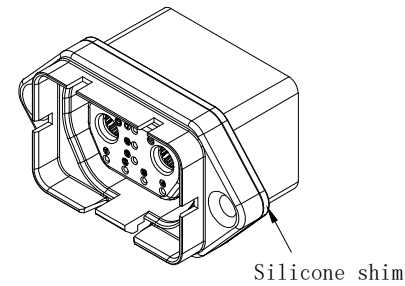
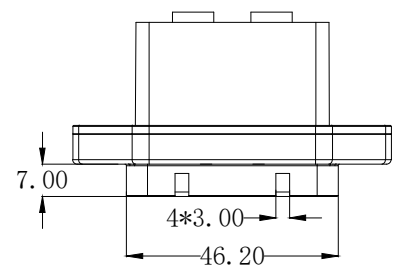
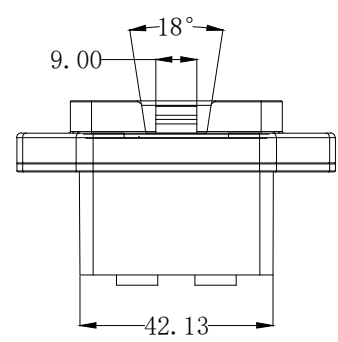
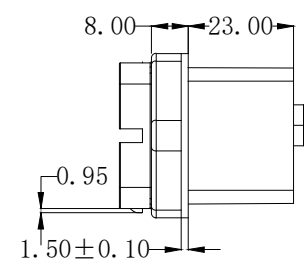
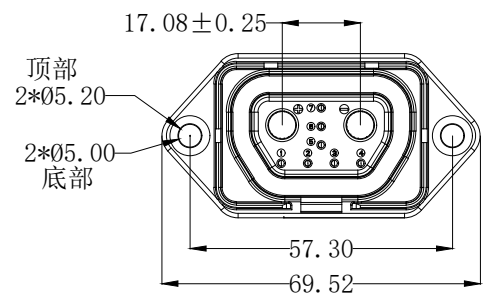


C/N: HLK P/C: P/N:HLK-530 2+7 FEMALE CUSTOMER REV: APPROVED BY:

REVISIONS			
REV.	DESCRIPTION	DATE	SIGNATURE
△A			
△B			
△C			



- NOTS:
1. Plastic material: PA66+30%GF Black UL94-V0
Molidng: PVC Black
塑胶材质: PA66+30%GF 黑色 UL94-V0
 2. Terminal:
Ø5.7*2 Material: Red copper, silver plated
Ø1.0*7 Material: Copper, silver plated
端子:
Ø5.7*2 材质: 黄铜, 镀银
Ø1.0*7 材质: 黄铜, 镀银
 3. Rated current: Power: 150A, Signal: 2A
额定电流: 电源: 150A 信号: 2A
 4. Mechanical operation: ≥5000 cycles
插拔寿命: ≥5000 次
 5. Pull out force: 20~100N.
与公头保持力 20~100N.
 6. Ambient temperature (operation): -10~+105°C.
耐温范围: -10~+105°C.
 7. Degree of protection: IP67
防护等级: IP67



未注明公差指定 (单位:mm)	
0~5	±0.2
5~15	±0.3
15~30	±0.5
30~100	±0.8
100~300	±1.0
300~1000	±1.2

SIGNATURE		HONLIX INC. HTTP://WWW.HONLIX.COM	
ENGINEER BY:			
MANAGER BY:		PRODUCT NO:	DATE: 2023.12.04
CHECKED BY:		UNIT: mm	SHEET: 1 OF 1
SEALES BY:		H/C: HLK-530	
		REV. 0	