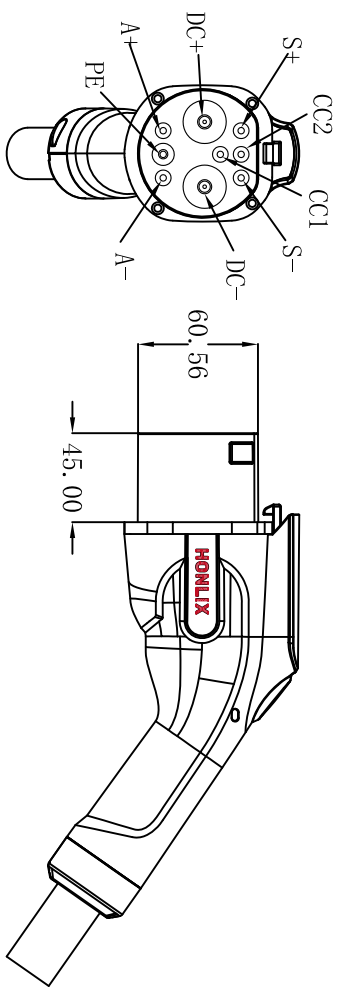
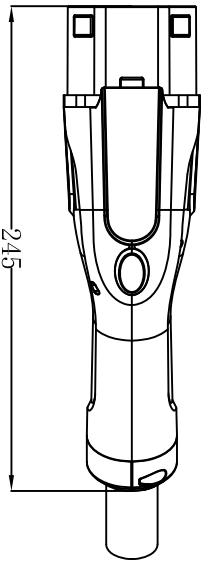
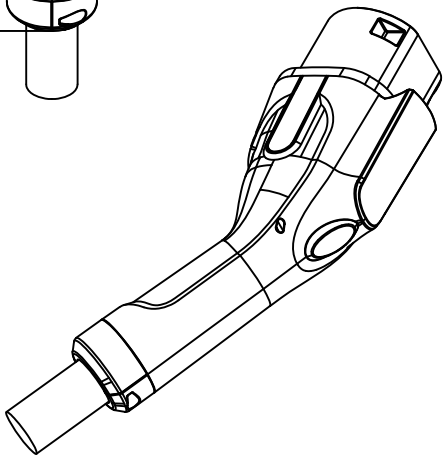


C/N: HLK P/C:HLK-526-1 P/N: 国标小直流充电枪 CUSTOMER REV: APPROVED BY:

REVISIONS			
REV.	DESCRIPTION	DATE	SIGNATURE
△A			
△B			
△C			



NOTS:

- Rated current:50A
额定电流:20~80A
- Rated voltage:750/1000V DC
额定电压:750/1000V DC
- Insulation resistance:>500MΩ
绝缘电阻:>500MΩ
- Contact resistance:0.5mΩ MAX
接触电阻:0.5mΩ MAX
- Withstanding voltage:3500V
耐压:3500V
- Flame retardant rating:UL94V-0
阻燃等级:UL94V-0
- Mechanical operation:≥10000 cycles
插拔寿命:≥10000 次
- Housing degree of protection:IP67
壳体防护等级: IP67
- Working temperature:-30~+50°C
工作温度:-30~+50°C
- Terminal temperature rise:<50K
端子温升:<50K

未注明公差指定 (单位:mm)	
0~5	±0.2
5~15	±0.3
15~30	±0.5
30~100	±0.8
100~300	±1.0
300~1000	±1.2

SIGNATURE		HONLIX INC. HTTP://WWW.HONLIX.COM	
ENGINEER BY:		PRODUCT NO:HLK-XXX	DATE: 2023.02.27
MANAGER BY:		UNIT: mm	SHEET: 1 OF 1
CHECKED BY:		H/C: HLK-526-1	
SEALS BY:			REV. 0