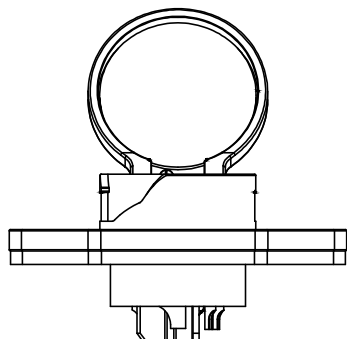
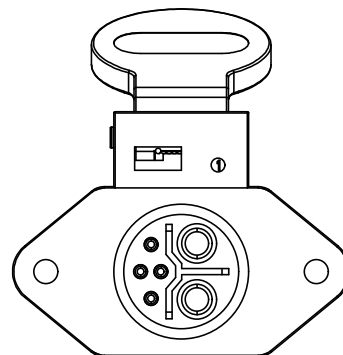
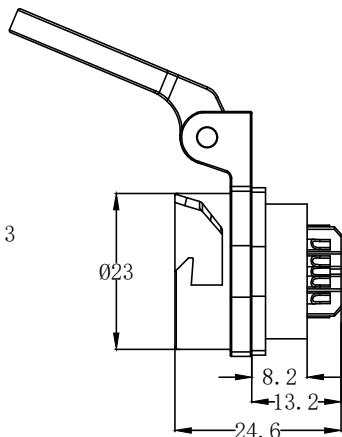
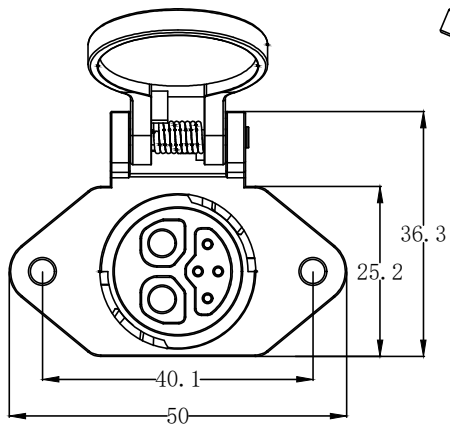


C/N: HLK P/C: P/N:HLK-508-5 2+4PIN CUSTOMER REV: APPROVED BY:


REVISIONS			
REV.	DESCRIPTION	DATE	SIGANTURE
△			
△			
△			



NOTS:

1. Plastic material: High performance engineering 塑胶材质: 高性能工程塑胶
2. Terminal: 03.6*2, 02.0*1, 01.0*5 Gold Plated 端子: 03.6*2, 02.0*1, 01.0*5 镀金.
3. Rated current: 50A*2, 5A*4 额定电流: 50A*2, 5A*4
4. Mechanical operation: ≥5000 cycles 插拔寿命: ≥5000 次
5. Degree of protection: IP67 防护等级: IP67
6. Power PIN Suitable wire: 6.0mm² Max 适配线材电源PIN: 6.0mm² 最大

未注明公差指定 (单位:mm)	
0~5	±0.2
5~15	±0.3
15~30	±0.5
30~100	±0.8
100~300	±1.0
300~1000	±1.2

SIGNATURE		 HONLIX INC. HTTP://WWW.HONLIX.COM		
ENGINEER BY:				PRODUCT NO:HLK-XXX
MANAGER BY:		UNIT: mm	SHEET: 1 OF 1	REV.
CHECKED BY:		H/C: HLK-508-5		0
SEALES BY:				