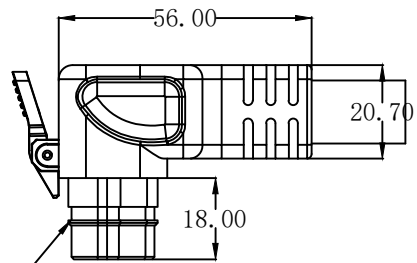
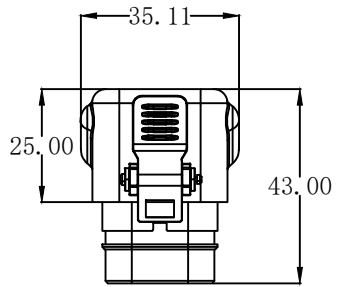
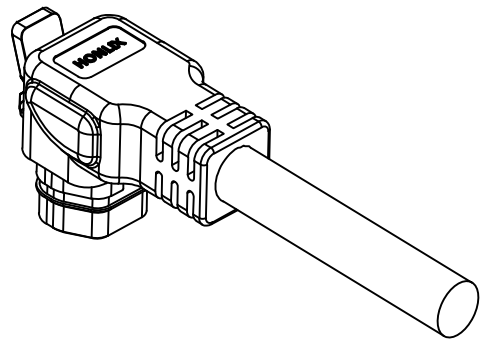
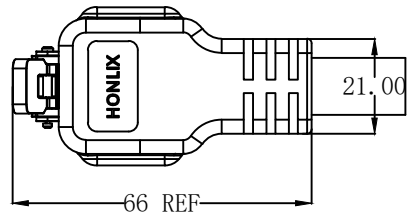
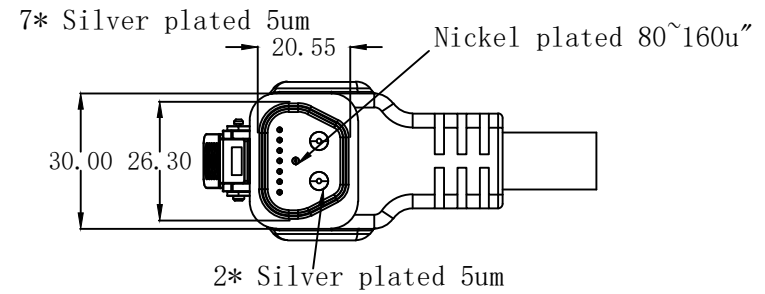


| | | | | |
|----------|------|--------------------------|---------------|--------------|
| C/N: HLK | P/C: | P/N:HLK-525-1 2+1+7 MALE | CUSTOMER REV: | APPROVED BY: |
|----------|------|--------------------------|---------------|--------------|

| REVISIONS | | | |
|-----------|-------------|------------|-------------|
| REV. | DESCRIPTION | DATE | SIGANTURE |
| △ | 增加侧耳 | 2023.12.05 | Ningning Li |
| △ | | | |
| △ | | | |




Seal ring



NOTS:

- Plastic material:PA66+30%GF Black UL94-V0
Molidng:PVC Black
塑胶材质:PA66+30%GF 黑色 UL94-V0
成型料:PVC 黑色
- Terminal:
Ø4.0*2 Material:Copper Silver plated 5um
Ø1.5*1 Material:Copper Nickel plated 80~160u"
Ø1.0*7 Material:Copper Silver plated 5um
端子:
Ø4.0*2 材质:黄铜镀银5um
Ø1.5*1 材质:黄铜镀镍80~160u"
Ø1.0*7 材质:黄铜镀银5um
- Rated current:Power:50A Signal:2A
额定电流:电源:50A 信号:2A
- Mechanical operation:≥5000 cycles
插拔寿命: ≥5000 次
- Degree of protection:IP67
防护等级: IP67
- Suitable wire:Power:8~10AWG Signal:22AWG
适配线材 电源:8~10AWG 信号:22AWG
- Pull out force:5~10KG.
与公头保持力5~10KG.
- Ambient temperature(operation):-25~+85°C.
耐温范围:-25~+85°C.

| 未注明公差指定 (单位:mm) | |
|-----------------|------|
| 0~5 | ±0.2 |
| 5~15 | ±0.3 |
| 15~30 | ±0.5 |
| 30~100 | ±0.8 |
| 100~300 | ±1.0 |
| 300~1000 | ±1.2 |

| | | | |
|--------------|-------------|--|------------------|
| SIGNATURE | |  HONLIX INC. HTTP://WWW.HONLIX.COM | |
| ENGINEER BY: | Ningning Li | | |
| MANAGER BY: | David Wang | PRODUCT NO:HLK-XXX | DATE: 2023.02.27 |
| CHECKED BY: | John Han | UNIT: mm | SHEET: 1 OF 1 |
| SEALES BY: | Eleven Wang | H/C: HLK-525-1 | |
| | | REV. A | |