

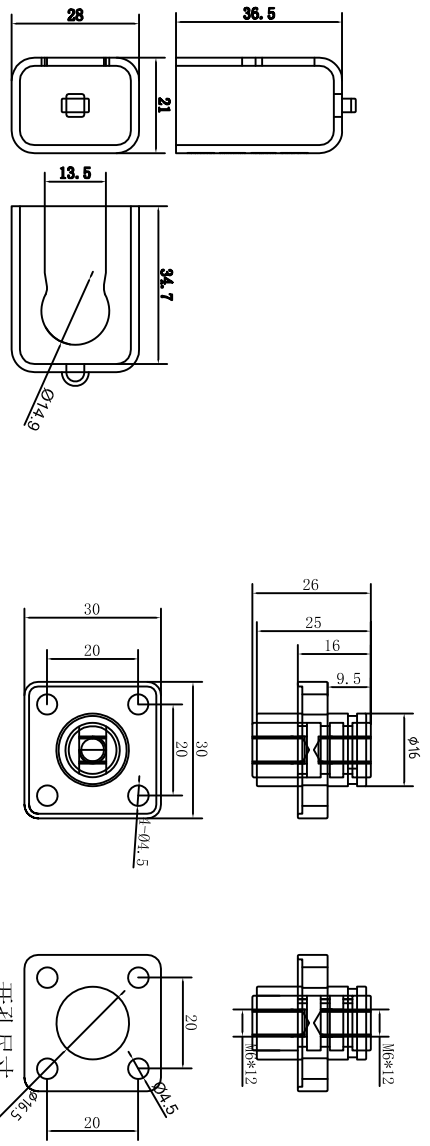
C/N:HONLIX P/C:120A Square

P/N: HLK-214

CUSTOMER REV:

APPROVED BY:

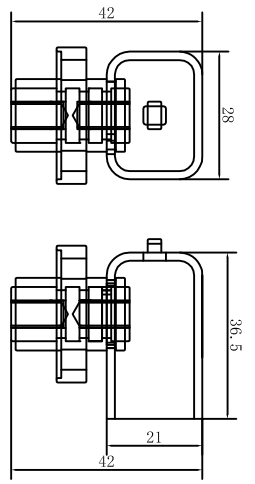
| REV. | DESCRIPTION | DATE | SIGNATURE |
|------|-------------|------|-----------|
| △    |             |      |           |
| △    |             |      |           |
| △    |             |      |           |



护盖/Bonnet

主体/Body

开孔尺寸  
Hole Size



组合/Assembly

| NO. | ITEM    | DESCRIPTION   | QTY  |
|-----|---------|---|------|
| ①   | HLK-214 | 120A Square Terminal Block H62 Nickel Plated/Tin Plated BK/RD | 1PCS |

THE INFORMATION CONTAINED HEREIN IS PROPRIETARY TO HONLIX. ANY USE OR DISCLOSURE OF THIS INFORMATION, EXCEPT FOR THE EXCLUSIVE BENEFIT OF HONLIX IS PROHIBITED.

| SPECIFICATION           |                         |
|-------------------------|-------------------------|
| Rated Operating Voltage | 1000V DC                |
| Rated Current           | 120A                    |
| Peak Current            | 132A/3Seconds           |
| Insulation Resistance   | N/A                     |
| Withstand Voltage/AC    | 2500V Power/1500VSignal |
| Durability              | N/A Cycles              |
| IP Rating               | Mated:N/A Unmated:N/A   |
| Salt Spray              | 5% NaCl, 24H            |
| Flame Class             | UL94 V-0 (Materials)    |
| Operating Temperature   | -40℃~125℃               |
| UV Resistance Grade     | N/A                     |
| Mating Part No          | N/A                     |
| Maximum Cable Range     | N/A                     |

| TERMS OF BUSINESS |            |
|-------------------|------------|
| MOQ               | 1PCS       |
| Lead Time         | 1-2 Weeks  |
| HS Code           | 8544422100 |
| Warrenty          | 1 Year     |
| Terms of Payment  | T/T 100%   |
| Terms of Shipment | EX Works   |

| UNMARRD TOLERANCE DEFINATION |      |
|------------------------------|------|
| 0~5                          | ±0.2 |
| 5~15                         | ±0.3 |
| 15~30                        | ±0.5 |
| 30~100                       | ±0.8 |
| 100~300                      | ±1.0 |
| 300~1000                     | ±1.2 |

| SIGNATURE    |             |
|--------------|-------------|
| ENGINEER BY: | Mandy Hao   |
| MANAGER BY:  | John Han    |
| CHECKED BY:  | David Wang  |
| SEALES BY:   | Eleven Wang |

**HONLIX** HONLIX INC.  
HTTP://WWW.HONLIX.COM

|                    |                  |
|--------------------|------------------|
| PRODUCT NO:HLK-214 | DATE: 2025.04.08 |
| UNIT: mm           | SHEET: 1 OF 1    |
| H/C: HLK-214       | REV. 0           |