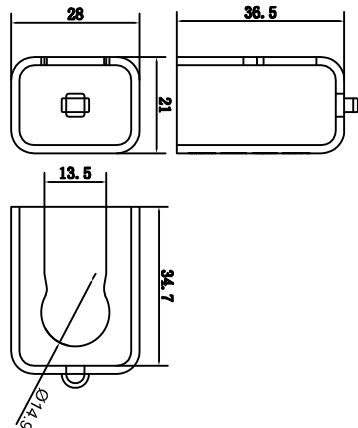
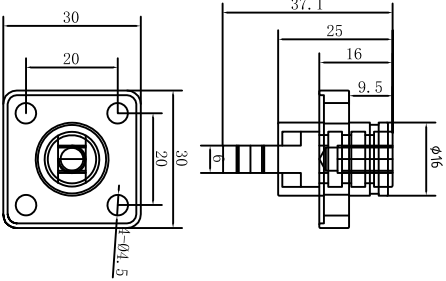


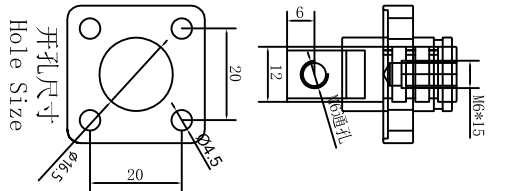
REVISIONS			
REV.	DESCRIPTION	DATE	SIGNATURE
△			
△			
△			



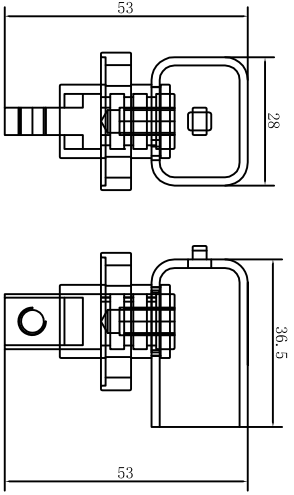
护盖/Bonnet



主体/Body



开孔尺寸
Hole Size



组合/Assembly

SPECIFICATION

Rated Operating Voltage	1000V DC
Rated Current	120A
Peak Current	132A/3seconds
Insulation Resistance	N/A
Withstand Voltage/AC	2500V Power/1500VSignal
Durability	N/A Cycles
IP Rating	Mated:N/A Unmated:N/A
Salt Spray	5% NaCl, 24H
Flame Class	UL94 V-0 (Materials)
Operating Temperature	-40c~125c
UV Resistance Grade	N/A
Mating Part No	N/A
Maximum Cable Range	N/A

TERMS OF BUSINESS

MOQ	1PCS
Lead Time	1-2 Weeks
HS Code	8544422100
Warranty	1 Year
Terms of Payment	T/T 100%
Terms of Shipment	EX Works

UNMARED TOLERANCE DEFINATION

0~5	±0.2
5~15	±0.3
15~30	±0.5
30~100	±0.8
100~300	±1.0
300~1000	±1.2

NO.	ITEM	DESCRIPTION	QTY
①	HLK-215	120A Square Terminal Block H62 Nickel Plated/Tin Plated BK/RD	1PCS

THE INFORMATION CONTAINED HEREIN IS PROPRIETARY TO HONLIX. ANY USE OR DISCLOSURE OF THIS INFORMATION, EXCEPT FOR THE EXCLUSIVE BENEFIT OF HONLIX IS PROHIBITED.

SIGNATURE

ENGINEER BY:	Mandy Hoo
MANAGER BY:	John Han
CHECKED BY:	David Wang
SALES BY:	Eleven Wang

HONLIX® HONLIX INC.
HTTP://WWW.HONLIX.COM

PRODUCT NO:HLK-215	DATE: 2025.04.08
UNIT: mm	SHEET: 1 OF 1
H/C: HLK-215	REV. 0